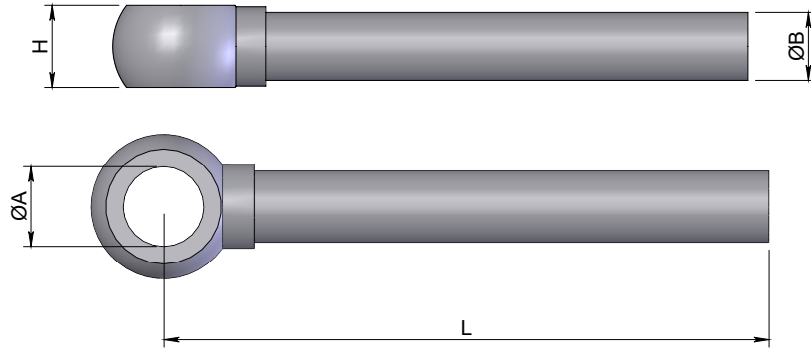


**Universal banjo fittings
Raccordi ad occhio universali**

Welded banjo fittings
Raccordi ad occhio saldati



How to order / Come ordinare

50-24--A0-3-0-**-0**

10= 100mm
20= 200mm
30= 300mm
40= 400mm
50= 500mm

L distance
Distanza L

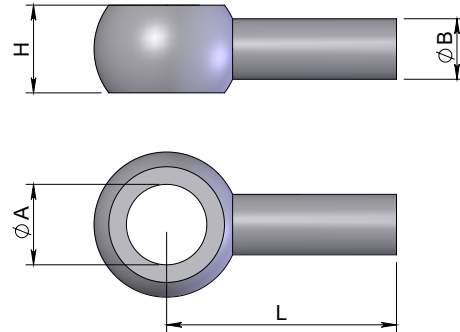
Fitting dimension
Dimensione attacco

1/4 BSPP
3/8 BSPP
1/2 BSPP

Fitting size Dimensione attacco	ØA	ØB	H
1/4	13.3	12	14.5
3/8	17	12	17
1/2	21.2	15	22

Short banjo fittings
Raccordi ad occhio torniti

Code Codice	ØA	ØB	H	L	Size
502538A030020	13.3	12	14.5	38	1/4
502540A030030	17	12	17	40	3/8
502544A030040	21.2	15	22	44	1/2



Ogive and nut banjo fittings
Raccordi ad occhio dado e ogiva

Code Codice	ØA	ØB	H	L	Size
502643A030020	13.3	12	14	43.5	1/4
502638A030030	17	12	17	38.5	3/8
502644A030040	21.2	15	22	44.5	1/2

