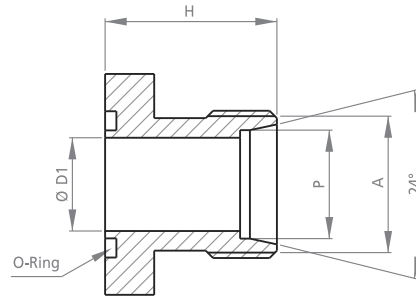
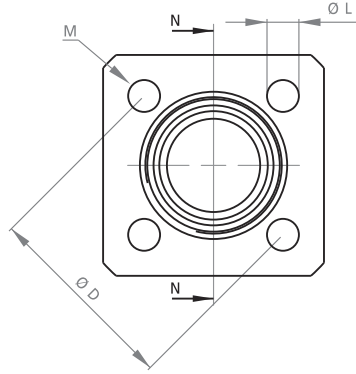
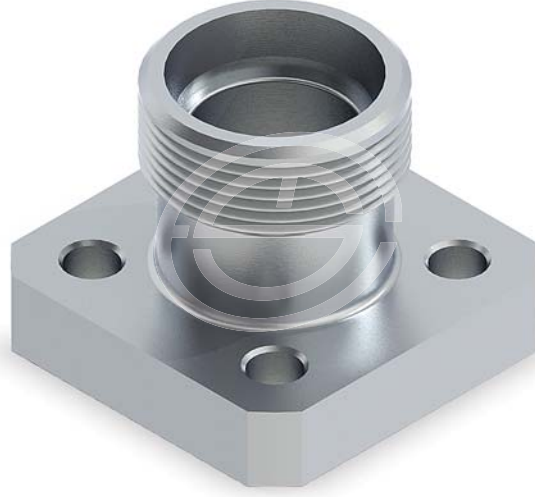


KOD CODE	A	D	D1	H	H1	L	M	O-RİNG O-RİNG
EDZA 426	R 1/4"	26	10	7	18	6.5	M 6X16	13.1X2.62
EDZA 428	R 1/4"	28	10	7	18	6.5	M 6X16	13.1X2.62
EDZA 430	R 3/8"	30	12	7	18	6.5	M 6X16	15.88X2.62
EDZA 435	R 3/8"	35	13	7	18	6.5	M 6X16	18.72X2.62
EDZA 440M6	R 1/2"	40	17	7	18	6.5	M 6X20	22X3
EDZA 440	R 1/2"	40	17	7	18	8.5	M 8X20	22X3
EDZA 448	R 3/4"	48	22	7	22	8.5	M 8X20	29X3
EDZA 451	R 3/4"	51	22	7	22	10.5	M 10X25	29X3
EDZA 456	R 1"	56	28	7	22	10.5	M 10X25	34X3
EDZA 462	R 1"	62.5	28	10	28	13	M 12X25	38X3
EDZA 472	R 1"	72.5	28	10	28	13	M 12X25	38X3

EDZA ERKEK POMPA ADAPTÖRÜ

STRAIGHT FLANGE MOUNTING

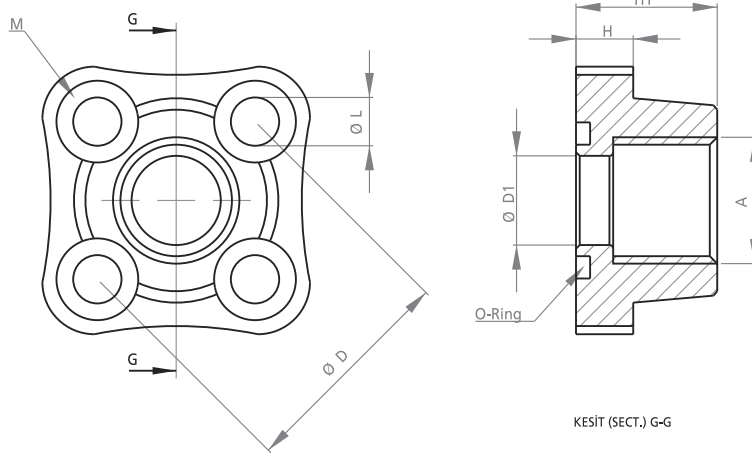


KESIT (SECT.) N-N

KOD CODE	P	A	D	D1	H	L	M	O-RING O-RING
EDZA E435L10	L10	M 16x1.5	35	11	30	6.5	M6x20	18.72X2.62
EDZA E435L12	L12	M 18x1.5	35	11	30	6.5	M6x20	18.72X2.62
EDZA E435L15	L15	M 22x1.5	35	13	30	6.5	M6x20	18.72X2.62
EDZA E435S16	S16	M 24x1.5	35	13	30	6.5	M6x20	18.72X2.62
EDZA E440L15	L15	M 22x1.5	40	13	35	6.5	M6x20	22X3
EDZA E440L18	L18	M 26x1.5	40	16	35	6.5	M6x20	22X3
EDZA E440L22	L22	M 30x2	40	19	35	6.5	M6x20	22X3
EDZA E440L28	L28	M 36x2	40	19	35	6.5	M6x20	22X3
EDZA E455S20	S20	M 30x2	55	14	35	8.5	M8x25	29X3

DZA DÖVME POMPA ADAPTÖRÜ

STRAIGHT FLANGE MOUNTING PIPE THREADED WROUGHT

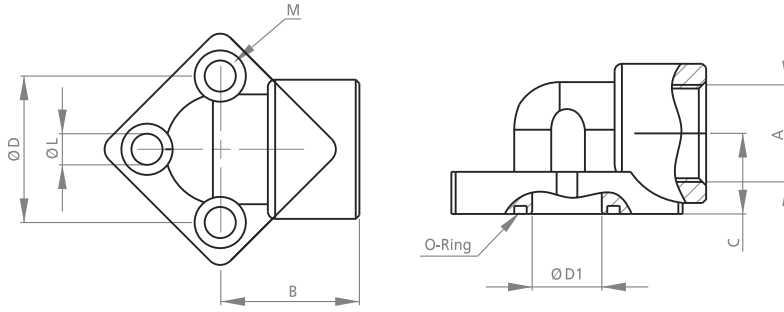


KOD CODE	A	D	D1	H	H1	L	M	O-RİNG O-RING
DZA 430	R 3/8"	30	12	7	19	6.5	M 6X20	15,88X2,62
DZA 435	R 3/8"	35	12	8	20	6.5	M 6X20	18,72X2,62
DZA 440M6	R 1/2"	40	16	10	22	6.5	M 6X20	22X3
DZA 440	R 1/2"	40	16	10	22	8.5	M 8X20	22X3
DZA 448	R 3/4"	48	22	12	25	8.5	M 8X20	29X4
DZA 451	R 3/4"	51	22	12	25	10.5	M 10X25	29X4
DZA 456	R 3/4"	56	22	12	25	10.5	M 10X25	29X4

Tasarım Tescil No **Design Registration Certificate Number:** 2006 00468
Tasarım Tescil No **Design Registration Certificate Number:** 2008 03809

DRA 3 DELİKLİ POMPA ADAPTÖRÜ

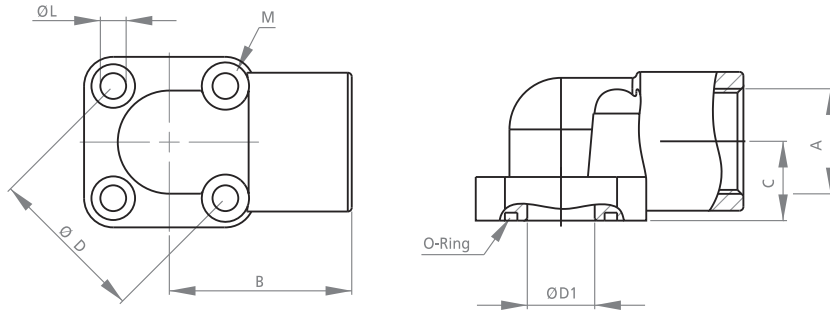
FLANGE MOUNTING 90° PIPE THREADED



KOD CODE	A	B	C	D	D1	L	M	O-RİNG O-RING
DRA 330-38	R 3/8"	27	18	30	12	6.5	M 6X20	15.88X2.62
DRA 330-12	R 1/2"	27	18	30	12	6.5	M 6X20	15.88X2.62
DRA 335-38	R 3/8"	30	19	35	14	6.5	M 6X20	18.72X2.62
DRA 335-12	R 1/2"	30	19	35	14	6.5	M 6X20	18.72X2.62
DRA 335-34	R 3/4"	30	19	35	14	6.5	M 6X20	18.72X2.62
DRA 340-12	R 1/2"	38	22	40	19	8.5	M 8X25	22X3
DRA 340-34	R 3/4"	38	22	40	19	8.5	M 8X25	22X3
DRA 348-34	R 3/4"	44	27	48	19	8.5	M 8X25	29X4
DRA 348-1	R 1"	44	27	48	19	8.5	M 8X25	29X4
DRA 351-34	R 3/4"	45	27	51	24.5	10.5	M 10X25	29X4
DRA 351-1	R 1"	45	27	51	24.5	10.5	M 10X25	29X4
DRA 356-34	R 3/4"	45	27	56	24.5	10.5	M 10X25	29X4
DRA 356-1	R 1"	45	27	56	24.5	10.5	M 10X25	29X4

DRA 4 DELİKLİ POMPA ADAPTÖRÜ

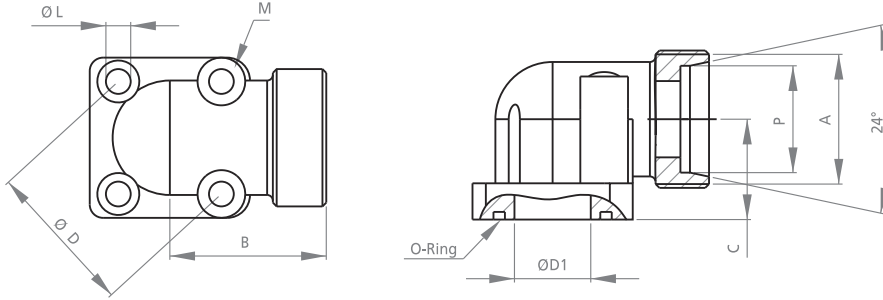
FLANGE MOUNTING 90° PIPE THREADED



KOD CODE	A	B	C	D	D1	L	M	O-RİNG O-RİNG
DRA 430-38	R 3/8"	40	18	30	12	6.5	M 6X20-6X35	15.88X2.62
DRA 430-12	R 1/2"	40	18	30	12	6.5	M 6X20-6X35	15.88X2.62
DRA 435-38	R 3/8"	42.5	18	35	14	6.5	M 6X20-6X35	18.72X2.62
DRA 435-12	R 1/2"	42.5	18	35	14	6.5	M 6X20-6X35	18.72X2.62
DRA 440-12	R 1/2"	47.5	24	40	17	6.5	M 6X20-6X35	22X3
DRA 440-34	R 3/4"	47.5	24	40	17	6.5	M 6X20-6X35	22X3
DRA 455-34	R 3/4"	54	29	55	25	8.5	M 8X45-8X60	29X4
DRA 455-1	R 1"	54	29	55	25	8.5	M 8X45-8X60	29X4

DRA 4 DELİKLİ ERKEK POMPA ADAPTÖRÜ

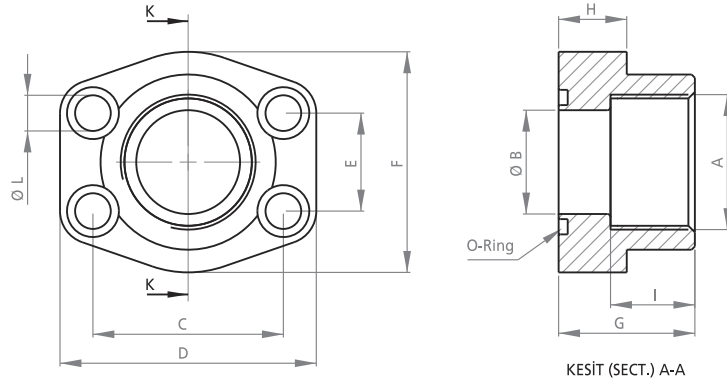
FLANGE
MOUNTING 90°



KOD CODE	P	A	B	C	D	D1	L	M	O-RING O-RING
DRAE 435 M22	L15	M22X1.5	45	25	35	14	6.5	M 6X20-6X35	18.72X2.62
DRAE 435 M24	S16	M24X1.5	45	25	35	15	6.5	M 6X20-6X35	18.72X2.62
DRAE 435 M26	L18	M26X1.5	45	25	35	15	6.5	M 6X20-6X35	18.72X2.62
DRAE 435 M30	S20	M30X2	45	25	35	15	6.5	M 6X20-6X35	18.72X2.62
DRAE 440 M22	L15	M22X1.5	40	28	40	20	6.5	M 6X20-6X35	22X3
DRAE 440 M26	L18	M26X1.5	40	28	40	20	6.5	M 6X20-6X35	22X3
DRAE 440 M30	L22	M30X2	40	28	40	20	6.5	M 6X20-6X35	22X3
DRAE 440 M30	S20	M30X2	40	28	40	20	6.5	M 6X20-6X35	22X3
DRAE 440 M36	L28	M36X2	40	28	40	20	6.5	M 6X20-6X35	22X3
DRAE 455 M30	S20	M30X2	46	24	55	16	8.5	M 8X20-8X50	29x4

SAE BORU DİŞ, O-RİNGLİ POMPA ADAPTÖRÜ

SAE PIPE THREADED FLANGE MOUNTING WITH O-RING



SAE 3000 PSI

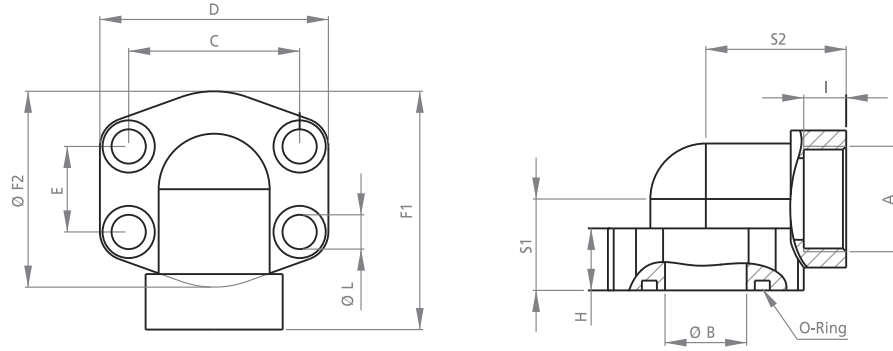
KOD CODE	A	B	C	D	E	F	G	H	I	L	M	O-RİNG O-RİNG
SAE 3001	R 1/2"	13	38.1	54	17.48	46	36	16	19	8.5	M 8X30	18.66X3.53
SAE 3002	R 3/4"	19	47.63	65	22.23	50	36	18	19	10.5	M 10X35	25X3.53
SAE 3003	R 1"	25	52.37	70	26.19	55	38	18	22	10.5	M 10X35	32.92X3.53
SAE 3004	R1 1/4"	32	58.72	79	30.18	68	41	21	22	10.5	M 10X40	37.7X3.53
SAE 3005	R1 1/2"	38	69.85	93	35.71	78	45	25	24	13	M 12X45	47.22X3.53
SAE 3006	R 2"	51	77.77	102	42.88	90	45	25	30	13	M 12X45	56.75X3.53
SAE 3007	R 2-1/2"	63	88.9	114	50.8	105	50	25	30	13	M 12X45	69.45X3.53
SAE 3008	R 3"	73	106.38	134	61.93	124	50	27	34	17	M 16X50	85.32X3.53
SAE 3009	R 3-1/2"	89	120.65	152	69.85	136	48	27	34	17	M 16X50	98.02X3.53
SAE 3010	R 4"	99	130.18	162	77.77	146	48	27	34	17	M 16X50	110.72X3.53
SAE 3011	R 5"	120	152.4	190	92.08	180	50	28	30	17	M 16X55	136.12X3.53

SAE 6000 PSI

KOD CODE	A	B	C	D	E	F	G	H	I	L	M	O-RİNG O-RİNG
SAE 6001	R 1/2"	13	40.49	54	18.24	46	36	16	19	8.5	M 8X30	18.66X3.53
SAE 6002	R 3/4"	19	50.8	71	23.8	55	35	21	22	10.5	M 10X35	25X3.53
SAE 6003	R 1"	25	57.15	81	27.76	65	42	25	24	13	M 12X45	32.92X3.53
SAE 6004	R1 1/4"	32	66.68	95	31.75	78	45	27	25	15	M 14X45	37.7X3.53
SAE 6005	R1 1/2"	38	79.38	112	36.5	94	50	30	28	17	M 16X50	47.22X3.53
SAE 6006	R 2"	51	96.82	134	44.45	114	65	37	30	21	M 20X65	56.75X3.53
SAE 6007	R 2 1/2"	63	123.8	165	58.70	152	80	45	45	25	M 24x75	69.45x3.53
SAE 6008	R 3"	73	152.4	208	71.40	178	90	50	55	32	M 30x80	85.32x3.53

SAE BORU DIŐ DİRSEK POMPA ADAPTÖRÜ

SAE PIPE THREADED 90° FLANGE MOUNTING



SAED 3000 PSI

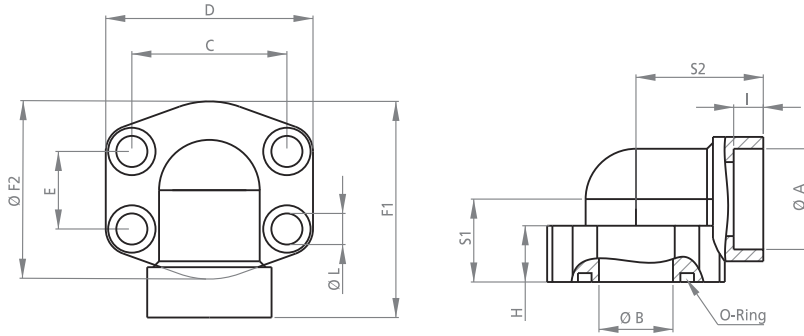
KOD CODE	A	B	C	D	E	F1	F2	H	I	L	S1	S2	M	O-RİNG O-RİNG
SAED 3001	R 1/2"	13	38.1	54	17.48	60	48	16	19	8.5	20	37	M 8x30	18.66X3.53
SAED 3002	R 3/4"	19	47.63	65	22.23	63	52	18	19	10.5	24	38	M 10x35	25X3.53
SAED 3003	R 1"	25	52.37	70	26.19	70	60	19	20	10.5	28	43	M 10x35	32.92X3.53
SAED 3004	R 1-1/4"	32	58.72	79	30.18	85	73	21	22	10.5	34	51	M 10x40	37.7X3.53
SAED 3005	R 1-1/2"	38	69.85	93	35.71	95	83	25	25	13	38	56	M 12x45	47.22X3.53
SAED 3006	R 2"	51	77.77	110	42.88	110	94	25	28	13	42	65	M 12x45	56.75X3.53

SAED 6000 PSI

KOD CODE	A	B	C	D	E	F1	F2	H	I	L	S1	S2	M	O-RİNG O-RİNG
SAED 6001	R 1/2"	13	40.49	54	18.24	60	46	16	19	8.5	20	37	M 8x30	18.66X3.53
SAED 6002	R 3/4"	19	50.8	70	23.8	70	56	19	20	10.5	28	43	M 10x35	25X3.53
SAED 6003	R 1"	25	57.15	79	27.76	85	72	21	22	13	34	51	M 12x45	32.92X3.53
SAED 6004	R 1-1/4"	32	66.68	93	31.75	95	75	25	25	15	38	56	M 14x50	37.7X3.53
SAED 6005	R 1-1/2"	38	79.38	110	36.5	110	94	25	28	17	42	65	M 16x50	47.22X3.53
SAED 6006	R 2"	51	96.82	134	44.5	150	106	26	28	21	60	92	M 20x110	56.75X3.53

SAE İÇTEN KAYNAKLIK DİRSEK POMPA ADAPTÖRÜ

SAE WELD IN 90° FLANGE MOUNTING



SAED 3000 PSI

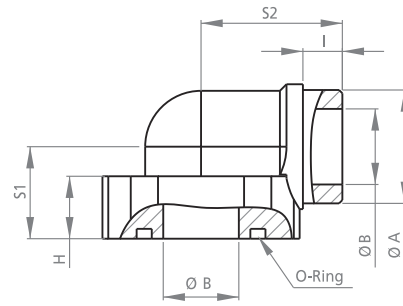
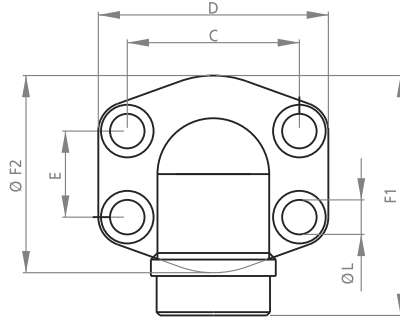
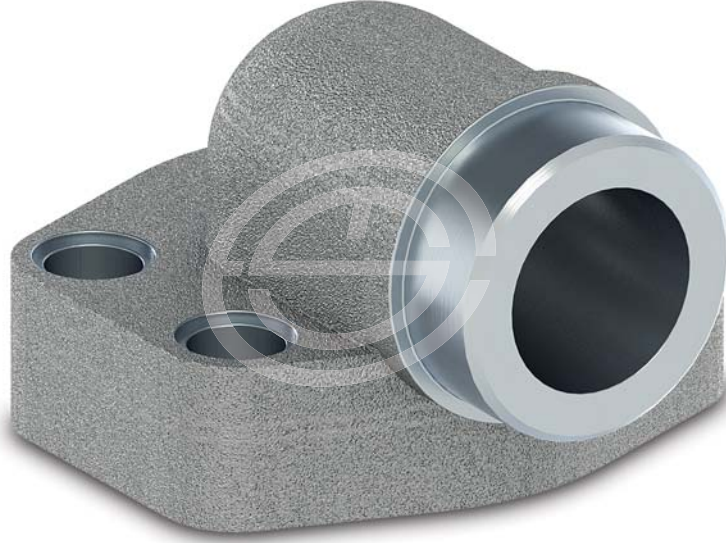
KOD CODE	A	B	C	D	E	F1	F2	H	I	L	S1	S2	M	O-RING O-RING
SAED 3001I	21.6	13	38.1	54	17.48	60	48	16	10	8.5	20	37	M 8x30	18.66X3.53
SAED 3002I	27.2	19	47.63	65	22.23	63	50	18	10	10.5	24	38	M 10x35	25X3.53
SAED 3003I	34	25	52.37	70	26.19	70	60	19	12	10.5	28	43	M 10x35	32.92X3.53
SAED 3004I	42.8	32	58.72	79	30.18	85	68	21	14	10.5	34	51	M 10x40	37.7X3.53
SAED 3005I	48.6	38	69.85	93	35.71	95	78	25	16	13	38	56	M 12x45	47.22X3.53
SAED 3006I	61	51	77.77	110	42.88	110	90	25	18	13	42	65	M 12x45	56.75X3.53

SAED 6000 PSI

KOD CODE	A	B	C	D	E	F1	F2	H	I	L	S1	S2	M	O-RING O-RING
SAED 6001I	21.6	13	40.49	54	18.24	60	46	16	10	8.5	20	37	M 8x30	18.66X3.53
SAED 6002I	27.2	19	50.8	70	23.8	70	60	19	12	10.5	28	43	M 10x35	25X3.53
SAED 6003I	34	25	57.15	79	27.76	85	70	21	14	13	34	51	M 12x45	32.92X3.53
SAED 6004I	42.8	32	66.68	93	31.75	95	78	25	16	15	38	56	M 14x50	37.7X3.53
SAED 6005I	48.6	38	79.38	110	36.5	110	94	25	18	17	42	65	M 16x50	47.22X3.53
SAED 6006I	61	51	96.82	134	44.5	150	106	26	18	21	60	92	M 20x110	56.75X3.53

SAE DIŐTAN KAYNAKLIK DİRSEK POMPA ADAPTÖRÜ

SAE WELD ON 90° FLANGE MOUNTING



SAED 3000 PSI

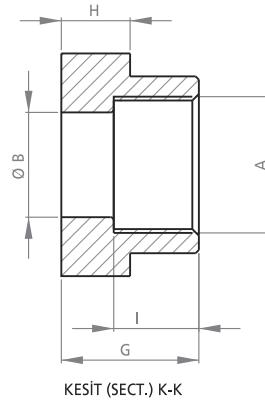
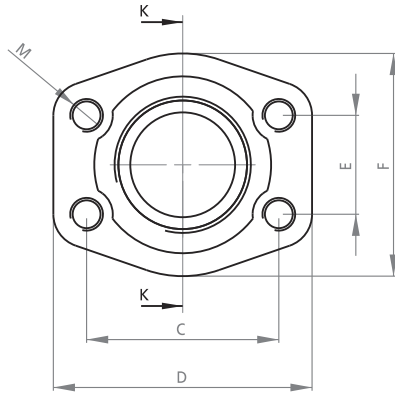
KOD CODE	A	B	C	D	E	F1	F2	H	I	L	S1	S2	M	O-RING O-RING
SAED 3001D	21.6	13	38.1	54	17.48	60	48	16	10	8.5	20	37	M 8x30	18.66X3.53
SAED 3002D	27.2	19	47.63	65	22.23	63	50	18	10	10.5	24	38	M 10x35	25X3.53
SAED 3003D	34.5	25	52.37	70	26.19	70	60	19	12	10.5	28	43	M 10x35	32.92X3.53
SAED 3004D	42.8	32	58.72	79	30.18	85	68	21	14	10.5	34	51	M 10x40	37.7X3.53
SAED 3005D	48.6	38	69.85	93	35.71	95	78	25	16	13	38	56	M 12x45	47.22X3.53
SAED 3006D	61	51	77.77	110	42.88	110	90	25	18	13	42	65	M 12x45	56.75X3.53

SAED 6000 PSI

KOD CODE	A	B	C	D	E	F1	F2	H	I	L	S1	S2	M	O-RING O-RING
SAED 6001D	21.6	13	40.49	54	18.24	60	46	16	10	8.5	20	37	M 8x30	18.66X3.53
SAED 6002D	27.2	19	50.8	70	23.8	70	60	19	12	10.5	28	43	M 10x35	25X3.53
SAED 6003D	34.5	25	57.15	79	27.76	85	70	21	14	13	34	51	M 12x45	32.92X3.53
SAED 6004D	42.8	32	66.68	93	31.75	95	78	25	16	15	38	56	M 14x50	37.7X3.53
SAED 6005D	48.6	38	79.38	110	36.5	110	94	25	18	17	42	65	M 16x50	47.22X3.53
SAED 6006D	61	51	96.82	134	44.5	150	106	26	18	21	60	92	M 20x110	56.75X3.53

SAE BORU DIŐ O-RİNGSİZ KILAVUZLU POMPA ADAPTÖRÜ

SAE PIPE THREADED KEYED FLANGE MOUNTING WITHOUT O-RING



SAE 3000 PSI

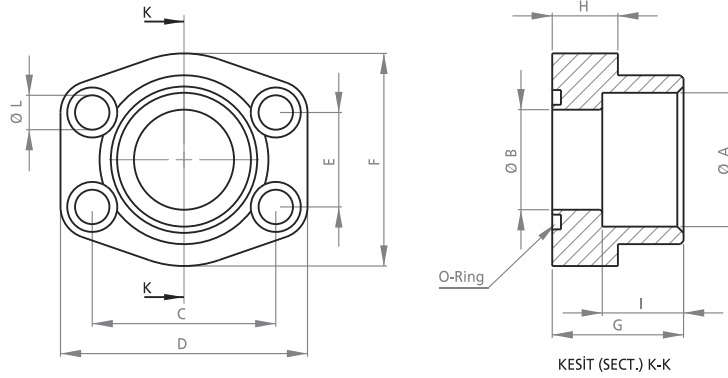
KOD CODE	A	B	C	D	E	F	G	H	I	M
SAE 3001V	R 1/2"	13	38.1	54	17.48	46	36	16	19	M8
SAE 3002V	R 3/4"	19	47.63	65	22.23	50	36	18	19	M10
SAE 3003V	R 1"	25	52.37	70	26.19	55	38	18	22	M10
SAE 3004V	R1 1/4"	32	58.72	79	30.18	68	41	21	22	M10
SAE 3005V	R1 1/2"	38	69.85	93	35.71	78	45	25	24	M12
SAE 3006V	R 2"	51	77.77	102	42.88	90	45	25	30	M12
SAE 3007V	R 2-1/2"	63	88.9	114	50.8	105	50	25	30	M12
SAE 3008V	R 3"	73	106.38	134	61.93	124	50	27	34	M16
SAE 3009V	R 3-1/2"	89	120.65	152	69.85	136	48	27	34	M16
SAE 3010V	R 4"	99	130.18	162	77.77	146	48	27	34	M16
SAE 3011V	R 5"	120	152.4	190	92.08	180	50	28	30	M16

SAE 6000 PSI

KOD CODE	A	B	C	D	E	F	G	H	I	M
SAE 6001V	R 1/2"	13	40.49	54	18.24	46	36	16	19	M8
SAE 6002V	R 3/4"	19	50.8	71	23.8	55	35	21	22	M10
SAE 6003V	R 1"	25	57.15	81	27.76	65	42	25	24	M12
SAE 6004V	R1 1/4"	32	66.68	95	31.75	78	45	27	25	M14
SAE 6005V	R1 1/2"	38	79.38	112	36.5	94	50	30	28	M16
SAE 6006V	R 2"	51	96.82	134	44.45	114	65	37	30	M20
SAE 6007V	R 2 1/2"	63	123.8	165	58.70	152	80	45	45	M24
SAE 6008V	R 3"	73	152.4	208	71.40	178	90	50	55	M30

SAE KAYNAKLIK O-RİNGLİ POMPA ADAPTÖRÜ

SAE SOCKET WELD FLANGE MOUNTING WITH O-RING



SAE 3000 PSI

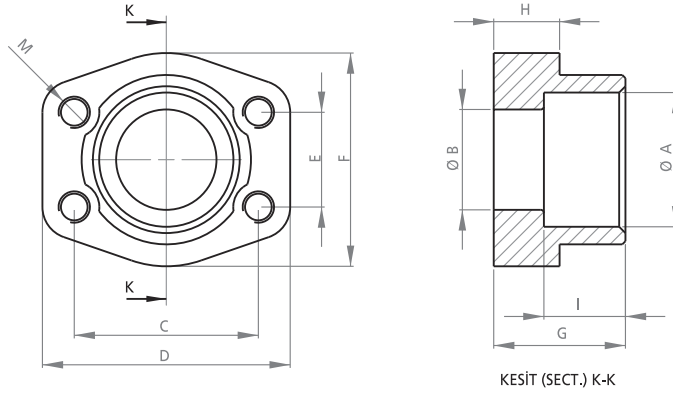
KOD CODE	A	B	C	D	E	F	G	H	I	L	M	O-RİNG O-RİNG
SAE 3001OK	21.6	13	38.1	54	17.48	46	36	16	19	8.5	M 8X30	18.66X3.53
SAE 3002OK	27.2	19	47.63	65	22.23	50	36	18	19	10.5	M 10X35	25X3.53
SAE 3003OK	34	25	52.37	70	26.19	55	38	18	19	10.5	M 10X35	32.92X3.53
SAE 3004OK	42.8	32	58.72	79	30.18	68	41	21	22	10.5	M 10X40	37.7X3.53
SAE 3005OK	48.6	38	69.85	93	35.71	78	45	25	24	13	M 12X45	47.22X3.53
SAE 3006OK	61	51	77.77	102	42.88	90	45	25	26	13	M 12X45	56.75X3.53
SAE 3007OK	76.6	63	88.9	114	50.8	105	50	25	30	13	M 12X45	69.45X3.53
SAE 3008OK	90.5	73	106.38	134	61.93	124	50	27	34	17	M 16X50	85.32X3.53
SAE 3009OK	103	89	120.65	152	69.85	136	48	27	34	17	M 16X50	98.02X3.53
SAE 3010OK	115.5	99	130.18	162	77.77	146	48	27	34	17	M 16X50	110.72X3.53
SAE 3011OK	142	120	152.4	190	92.08	180	50	28	30	17	M 16X55	136.12X3.53

SAE 6000 PSI

KOD CODE	A	B	C	D	E	F	G	H	I	L	M	O-RİNG O-RİNG
SAE 6001OK	21.6	13	40.49	54	18.24	46	36	16	19	8.5	M 8X30	18.66X3.53
SAE 6002OK	27.2	19	50.8	71	23.8	55	35	21	22	10.5	M 10X35	25X3.53
SAE 6003OK	34	25	57.15	81	27.76	65	42	25	22	13.5	M 12X45	32.92X3.53
SAE 6004OK	42.8	32	66.68	95	31.75	78	45	27	25	15	M 14X45	37.7X3.53
SAE 6005OK	48.6	38	79.38	112	36.5	94	50	30	28	17.5	M 16X50	47.22X3.53
SAE 6006OK	61	51	96.82	134	44.45	114	65	37	24	21	M 20X65	56.75X3.53
SAE 6007OK	76.6	63	123.8	165	58.70	152	80	45	45	25	M 24X75	69.45x3.53
SAE 6008OK	90.5	73	152.4	208	71.40	178	90	50	55	32	M 30X80	85.32x3.53

SAE KAYNAKLIK, O-RİNGSİZ KILAVUZLU POMPA ADAPTÖRÜ

SAE SOCKET WELDING KEYED FLANGE MOUNTING WITHOUT O-RING



SAE 3000 PSI

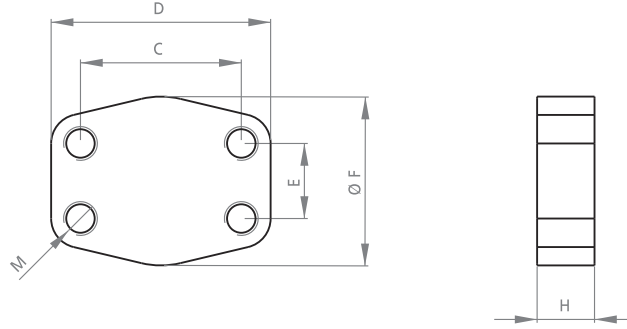
KOD CODE	A	B	C	D	E	F	G	H	I	M
SAE 3001K	21.6	13	38.1	54	17.48	46	36	16	19	M8
SAE 3002K	27.2	19	47.63	65	22.23	50	36	18	19	M10
SAE 3003K	34	25	52.37	70	26.19	55	38	18	19	M10
SAE 3004K	42.8	32	58.72	79	30.18	68	41	21	22	M10
SAE 3005K	48.6	38	69.85	93	35.71	78	45	25	24	M12
SAE 3006K	61	51	77.77	102	42.88	90	45	25	26	M12
SAE 3007K	76.6	63	88.9	114	50.8	105	50	25	30	M12
SAE 3008K	90.5	73	106.38	134	61.93	124	50	27	34	M16
SAE 3009K	103	89	120.65	152	69.85	136	48	27	34	M16
SAE 3010K	115.5	99	130.18	162	77.77	146	48	27	34	M16
SAE 3011K	142	120	152.4	190	92.08	180	50	28	30	M16

SAE 6000 PSI

KOD CODE	A	B	C	D	E	F	G	H	I	M
SAE 6001K	21.6	13	40.49	54	18.24	46	36	16	19	M8
SAE 6002K	27.2	19	50.8	71	23.8	55	35	21	22	M10
SAE 6003K	34	25	57.15	81	27.76	65	42	25	22	M12
SAE 6004K	42.8	32	66.68	95	31.75	78	45	27	25	M14
SAE 6005K	48.6	38	79.38	112	36.5	94	50	30	28	M16
SAE 6006K	61	51	96.82	134	44.45	114	65	37	24	M20
SAE 6007K	76.6	63	123.8	165	58.70	152	80	45	45	M24
SAE 6008K	90.5	73	152.4	208	71.40	178	90	50	55	M30

SAE O-RINGSİZ KILAVUZLU KÖR FLANŞ

SAE BLIND KEYED FLANGE MOUNTING WITHOUT O-RING



SAEK 3000 PSI

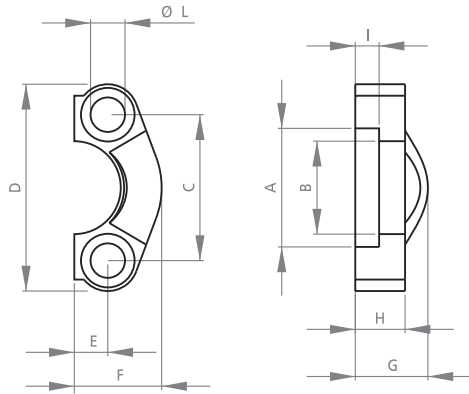
KOD CODE	S.A.E	C	D	E	F	H	M
SAEK 3001	1/2"	38.1	56	17.48	48	16	M 8
SAEK 3002	3/4"	47.63	65	22.23	50	16	M 10
SAEK 3003	1"	52.37	70	26.19	60	19	M 10
SAEK 3004	1-1/4"	58.72	79	30.18	68	18	M 10
SAEK 3005	1-1/2"	69.85	93	35.71	78	20	M 12
SAEK 3006	2"	77.77	102	42.88	90	20	M 12
SAEK 3007	2-1/2"	88.9	114	50.8	105	20	M 12
SAEK 3008	3"	106.38	134	61.93	124	24	M 16
SAEK 3009	3-1/2"	120.65	152	69.85	136	22	M 16
SAEK 3010	4"	130.18	162	77.77	146	25	M 16
SAEK 3011	5"	152.4	190	92.08	170	28	M 16

SAEK 6000 PSI

KOD CODE	S.A.E	C	D	E	F	H	M
SAEK 6001	1/2"	40.49	56	18.24	48	16	M 8
SAEK 6002	3/4"	50.8	71	23.8	60	19	M 10
SAEK 6003	1"	57.15	81	27.76	70	24	M 12
SAEK 6004	1-1/4"	66.68	95	31.75	78	27	M 14
SAEK 6005	1-1/2"	79.38	112	36.5	94	30	M 16
SAEK 6006	2"	96.82	134	44.45	114	28	M 20
SAEK 6007	2-1/2"	123.8	180	58.8	150	45	M 24
SAEK 6008	3"	152.4	208	71.4	178	50	M 30

SAE YARIM AY FLANŞ

SAE FLANGES HALVES



SAE FK 3000 PSI

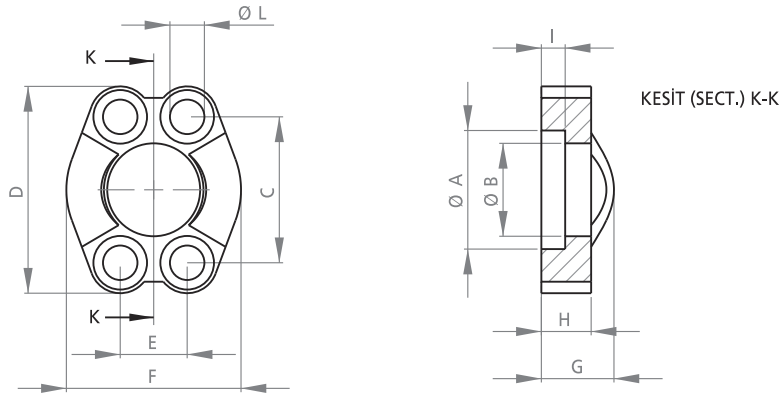
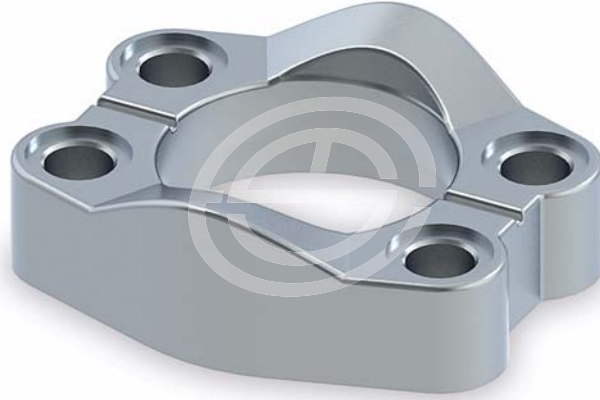
KOD CODE	SAE	A	B	C	D	E	F	G	H	I	L
FK 3001	1/2"	30.96	24.26	38.1	54	8.74	22.8	19	13	6.22	8.5
FK 3002	3/4"	38.89	32.13	47.63	65	11.12	25.9	22	14	6.22	10.5
FK 3003	1"	45.24	38.48	52.37	70	13.09	29.2	24	16	7.49	10.5
FK 3004	1 1/4"	51.59	43.69	58.72	79	15.09	36.3	22	16	7.49	10.5
FK 3005	1 1/2"	61.09	50.8	69.85	94	17.86	41.1	25	16	7.49	13
FK 3006	2"	72.24	62.74	77.77	102	21.44	48.2	26	16	9.02	13
FK 3007	2 1/2"	84.94	74.93	88.9	114	25.4	54.1	38	19	9.02	13
FK 3008	3"	102.39	90.93	106.38	135	30.97	65.3	41	22	9.02	17

SAE FK 6000 PSI

KOD CODE	SAE	A	B	C	D	E	F	G	H	I	L
FK 6001	1/2"	32.54	24.64	40.49	56	9.12	23.6	22	16	7.24	8.5
FK 6002	3/4"	42.06	32.51	50.8	71	11.9	20	28	20	8.26	10.5
FK 6003	1"	48.41	38.86	57.15	81	13.88	34.95	33	25	9.02	13
FK 6004	1 1/4"	54.76	44.45	66.68	95	15.88	38.6	38	27	9.78	15
FK 6005	1 1/2"	64.29	51.56	79.38	113	18.25	47.5	43	30	12.07	17
FK 6006	2"	80.16	67.56	96.82	133	22.23	56.9	52	37	12.07	21
FK 6007	2 1/2"	108.9	90	123.8	180	29.4	75.1	60	45	20.5	25
FK 6008	3"	132.5	115	152.4	215	35.8	99.08	75	55	25.5	32

SAE FLANŞ KEP

SAE FLANGE CLAMPS



SAE FK 3000 PSI

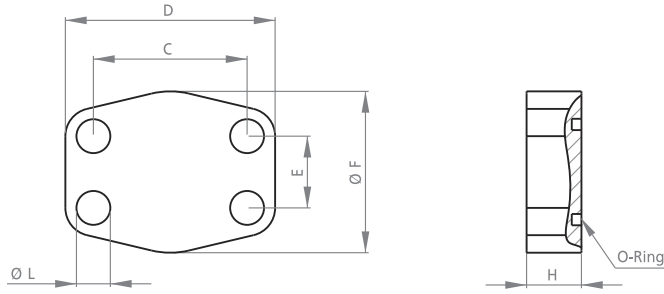
KOD CODE	SAE	A	B	C	D	E	F	G	H	I	L
FK 3001T	1/2"	30.96	24.26	38.1	54	17.48	45.6	19	13	6.22	8.5
FK 3002T	3/4"	38.89	32.13	47.63	65	22.23	51.8	22	14	6.22	10.5
FK 3003T	1"	45.24	38.48	52.37	70	26.19	58.4	24	16	7.49	10.5
FK 3004T	1 1/4"	51.59	43.69	58.72	79	30.18	72.6	22	16	7.49	10.5
FK 3005T	1 1/2"	61.09	50.8	69.85	94	35.71	82.2	25	16	7.49	13
FK 3006T	2"	72.24	62.74	77.77	102	42.88	96.4	26	16	9.02	13
FK 3007T	2 1/2"	84.94	74.93	88.9	114	50.8	108.2	38	19	9.02	13
FK 3008T	3"	102.39	90.93	106.38	135	61.93	130.6	41	22	9.02	17

SAE FK 6000 PSI

KOD CODE	SAE	A	B	C	D	E	F	G	H	I	L
FK 6001T	1/2"	32.54	24.64	40.49	56	18.24	47.2	22	16	7.24	8.5
FK 6002T	3/4"	42.06	32.51	50.8	71	23.8	60	28	20	8.26	10.5
FK 6003T	1"	48.41	38.86	57.15	81	27.76	69.9	33	25	9.02	13
FK 6004T	1 1/4"	54.76	44.45	66.68	95	31.75	77.2	38	27	9.78	15
FK 6005T	1 1/2"	64.29	51.56	79.38	113	36.5	95	43	30	12.07	17
FK 6006T	2"	80.16	67.56	96.82	133	44.45	113.8	52	37	12.07	21
FK 6007T	2 1/2"	108.9	90	123.8	180	58.8	150.2	60	45	20.5	25
FK 6008T	3"	132.5	115	152.4	215	71.6	198.16	75	55	25.5	32

SAE O-RİNGLİ KÖR FLANŞ

SAE BLIND FLANGE MOUNTING WITH O-RING



SAEK 3000 PSI

KOD CODE	S.A.E	C	D	E	F	H	L	M	O-RİNG O-RİNG
SAEK 3001O	1/2"	38.1	56	17.48	48	16	8.5	M 8x30	18.66X3.53
SAEK 3002O	3/4"	47.63	65	22.23	50	16	10.5	M 10x35	25X3.53
SAEK 3003O	1"	52.37	70	26.19	60	19	10.5	M 10x35	32.92X3.53
SAEK 3004O	1-1/4"	58.72	79	30.18	68	18	10.5	M 10x40	37.7X3.53
SAEK 3005O	1-1/2"	69.85	93	35.71	78	20	13	M 12x45	47.22X3.53
SAEK 3006O	2"	77.77	102	42.88	90	20	13	M 12x45	56.75X3.53
SAEK 3007O	2-1/2"	88.9	114	50.8	105	20	13	M 12x45	69.45X3.53
SAEK 3008O	3"	106.38	134	61.93	124	24	17	M 16x50	85.32X3.53
SAEK 3009O	3-1/2"	120.65	152	69.85	136	22	17	M 16x50	98.02X3.53
SAEK 3010O	4"	130.18	162	77.77	146	25	17	M 16x50	110.72X3.53
SAEK 3011O	5"	152.4	190	92.08	170	28	17	M 16x50	136.12X3.53

SAEK 6000 PSI

KOD CODE	S.A.E	C	D	E	F	H	L	M	O-RİNG O-RİNG
SAEK 6001O	1/2"	40.49	56	18.24	48	16	8.5	M 8x30	18.66X3.53
SAEK 6002O	3/4"	50.8	71	23.8	60	19	10.5	M 10x35	25X3.53
SAEK 6003O	1"	57.15	81	27.76	70	24	13	M 12x45	32.92X3.53
SAEK 6004O	1-1/4"	66.68	95	31.75	78	27	15	M 14x45	37.7X3.53
SAEK 6005O	1-1/2"	79.38	112	36.5	94	30	17	M 16x50	47.22X3.53
SAEK 6006O	2"	96.82	134	44.45	114	28	21	M 20x65	56.75X3.53
SAEK 6007O	2-1/2"	123.8	180	58.8	150	45	26	M 24x75	69.45X3.53
SAEK 6008O	3"	152.4	208	71.4	178	50	32	M 30x80	85.32X3.53