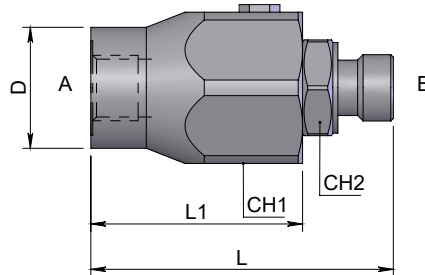


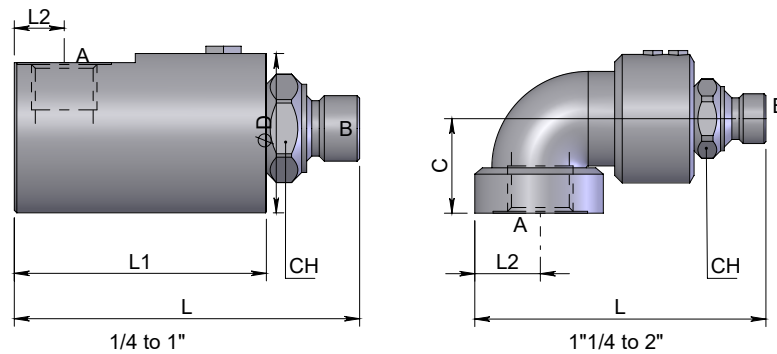
**Rotating couplings
 Giunti girevoli**

Inline rotating joints
 Giunti girevoli in linea



Code Codice	Ports A-B	L	L1	CH1	CH2	ØD	P max (bar) in rotazione	P max (bar)
502000A030020	1/4	61	42	30	19	24	200	400
502000A030030	3/8	66	44	34	24	25	200	400
502000A030040	1/2	71	47	36	27	32	150	300
502000A030050	3/4	80	50	45	34	49.5	150	300
502000A030060	1"	90	57	50	41	54.5	100	300
502000A030070	1"1/4	101	63	55	50	60	100	300
502000A030080	1"1/2	110	70	65	55	69.5	80	300
502000A030090	2"	118	75	75	65	84.5	50	250

90° rotating joints
 Giunti girevoli 90°



Code Codice	Ports A-B	L	L1	L2	CH	ØD	C	P max (bar) in rotazione	P max (bar)
502100A030020	1/4	69	50	11	19	33.5	-	200	400
502100A030030	3/8	76	54	13	24	37.5	-	200	400
502100A030040	1/2	87	63	14	27	39.5	-	150	300
502100A030050	3/4	100	70	16	34	54.5	-	150	300
502100A030060	1"	113	80	25	41	60	-	100	300
502100A030070	1"1/4	121	-	32	50	-	52	100	300
502100A030080	1"1/2	143	-	37	55	-	62	80	300
502100A030090	2"	151	-	42	65	-	64	50	250