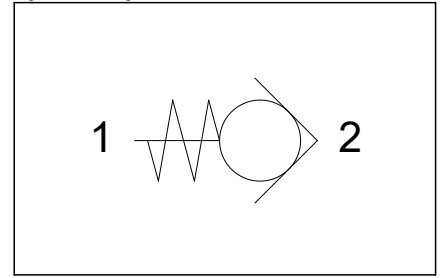


Check valve male male nipple
Valvola unidirezionale raccordo maschio maschio

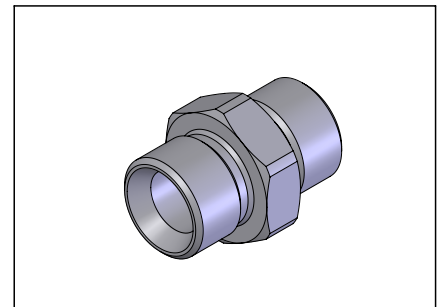
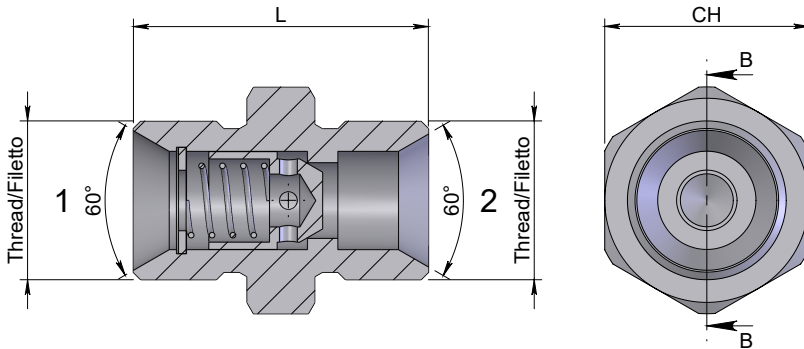
Specifications / Specifiche

| | | |
|----------------------|---------------------------|---------------------|
| Fluid viscosity: | Viscosità Fluido : | ISO 3448 |
| Filtration: | Classe di contaminazione: | ISO 4406 |
| Fluid temperature: | Temperatura fluido: | -20°C +90°C |
| Ambient temperature: | Temperatura ambiente: | -20°C +50°C |
| External surfaces: | Superfici esterne: | Zinc plated/Zincate |

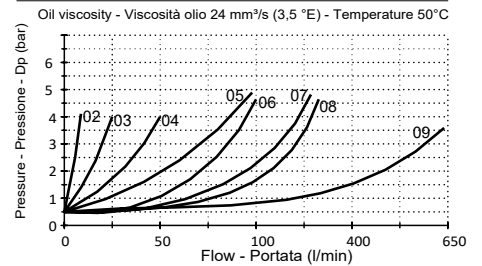
Hydraulic symbol / Simbolo idraulico



Dimensions / Dimensioni (mm)



Performance / Prestazioni



How to order / Come ordinare

13-N-01-M01-3-0--***

- 02 = 1/4 BSPP
- 03 = 3/8 BSPP
- 04 = 1/2 BSPP
- 05 = 3/4 BSPP
- 06 = 1" BSPP
- 07 = 1 1/4 BSPP
- 08 = 1 1/2 BSPP
- 09 = 2" BSPP

- Cracking pressure / Pressione apertura
- | | | |
|-----------|---|-------------|
| X = 1 bar | - | From 1 1/4" |
| Y = 3 bar | - | 1 bar |
| Z = 6 bar | - | 6 bar |
| | - | 9 bar |

| Standard code Codice standard | Thread Filetto | L | CH | Weight/Peso (kg) | Max. Flow Q max (l/min) | MAX Pressure (bar) |
|----------------------------------|-------------------|-----|----|---------------------|----------------------------|-----------------------|
| 13N01M013002X | 1/4 | 32 | 19 | 0.033 | 8 | 350 |
| 13N01M013003X | 3/8 | 34 | 22 | 0.053 | 20 | 350 |
| 13N01M013004X | 1/2 | 39 | 27 | 0.092 | 50 | 350 |
| 13N01M013005X | 3/4 | 45 | 32 | 0.142 | 90 | 350 |
| 13N01M013006X | 1" | 55 | 40 | 0.288 | 90 | 320 |
| 13N01M013007X | 1 1/4" | 70 | 50 | 0.594 | 250 | 320 |
| 13N01M013008X | 1 1/2" | 86 | 55 | 0.910 | 300 | 320 |
| 13N01M013009X | 2" | 102 | 70 | 1.800 | 650 | 320 |

*On request versions: Please, contact our customer service.

*Versioni su richiesta: Per cortesia contattare il ns. servizio clienti.