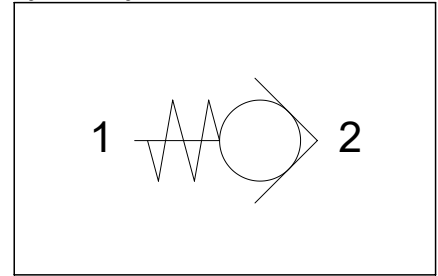


**Check valve reversible insert, ball type**  
**Valvola unidirezionale inserto reversibile, tipologia sfera**

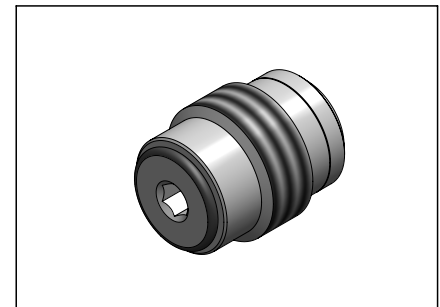
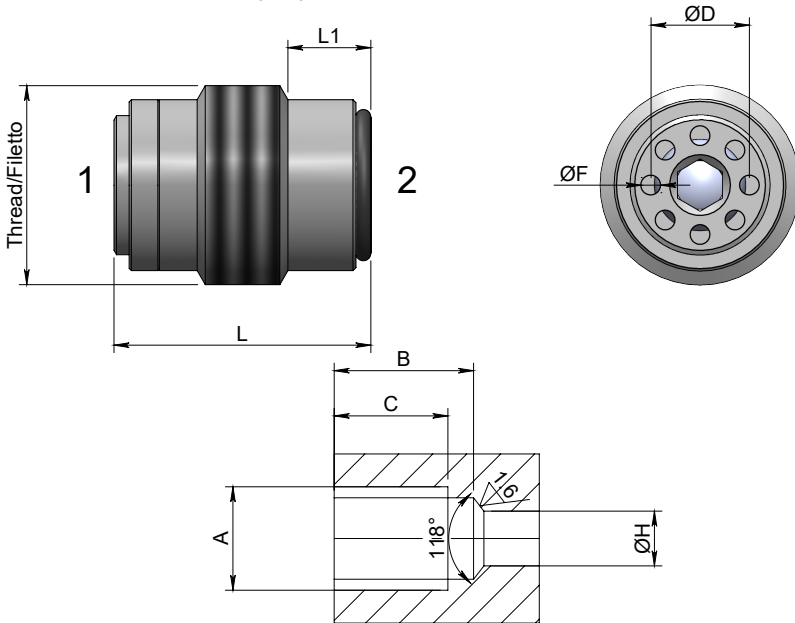
**Specifications / Specifiche**

Fluid viscosity:	Viscosità Fluido :	ISO 3448
Filtration:	Classe di contaminazione:	ISO 4406
Fluid temperature:	Temperatura fluido:	-20°C +90°C
Ambient temperature:	Temperatura ambiente:	-20°C +50°C

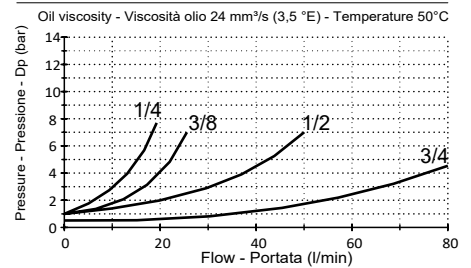
**Hydraulic symbol / Simbolo idraulico**



**Dimensions / Dimensioni (mm)**



**Performance / Prestazioni**



**How to order / Come ordinare**

**13-C-00-D01-6-0-\*\*-0**

Thread 02 = 1/4 BSPP  
Filetto 03 = 3/8 BSPP  
04 = 1/2 BSPP  
05 = 3/4 BSPP

Standard code Codice standard	Thread Filetto	L	L1	ØF	ØD	A	B	C	ØHmax	Weight/Peso (kg)	Max. Flow Q max (l/min)	Cracking pressure (bar)	MAX Pressure (bar)
13C00D0160020	1/4	17	5.5	1.3	6.5	1/4	31	28	7	0.01	20	0.5	350
13C00D0160030	3/8	18.5	5.5	2	8	3/8	34	31	9	0.018	30	0.5	350
13C00D0160040	1/2	22.5	7	2.5	10	1/2	38	35	12	0.035	50	0.5	350
13C00D0160050	3/4	28.5	7.5	3	14	3/4	45	41	16	0.07	80	0.5	350

\*On request versions: Please, contact our customer service.

\*Versioni su richiesta: Per cortesia contattare il ns. servizio clienti.