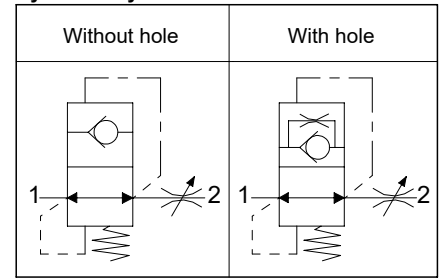


Hose break valves in male female manifold
Valvole di sicurezza (paracadute) in collettore maschio femmina

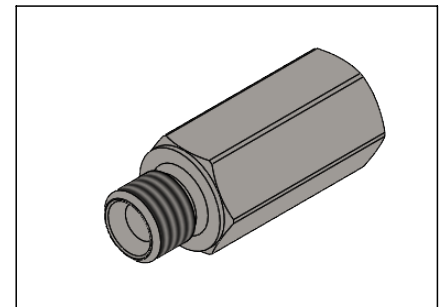
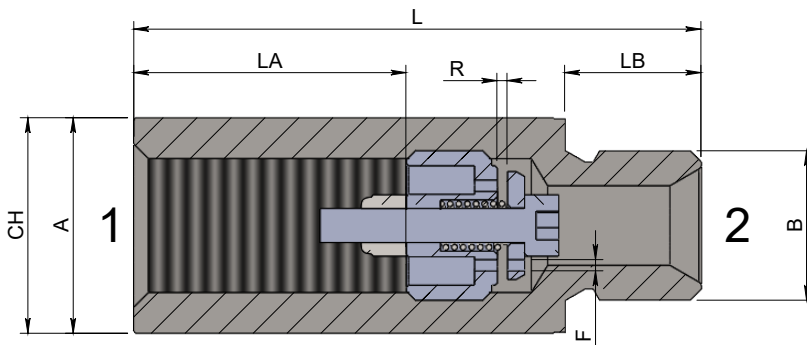
Specifications / Specifiche

Fluid viscosity:	Viscosità Fluido :	ISO 3448
Filtration:	Classe di contaminazione:	ISO 4406
Fluid temperature:	Temperatura fluido:	-20°C +90°C
Ambient temperature:	Temperatura ambiente:	-20°C +50°C

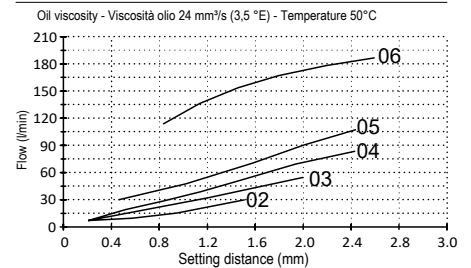
Hydraulic symbol / Simbolo idraulico



Dimensions / Dimensioni (mm)



Performance / Prestazioni



How to order / Come ordinare

18-B--00-3-1-**-****

Example 15 = R 1.5 Setting
20 = R 2.0 Regolazione

Example 00 = No hole Hole F Diameter
01 = F Ø 0.1 Diametro foro F

B thread 02 = 1/4 BSPP
03 = 3/8 BSPP
04 = 1/2 BSPP
05 = 3/4 BSPP
06 = 1" BSPP
Filetto B
A thread 02 = 1/4 BSPP
03 = 3/8 BSPP
04 = 1/2 BSPP
05 = 3/4 BSPP
06 = 1" BSPP
Filetto A

Standard code Codice standard	A thread	B thread	L	LB	LA	CH	R Std	Weight/Peso (kg)	Max. Flow Q max (l/min)	Max. pressure (bar)
18B0900310202	1/4	1/4	50	12	20.5	19	0.9	0.08	25	350
18B1500310303	3/8	3/8	58	13	22.5	24	1.5	0.14	50	350
18B2300310404	1/2	1/2	62	14	22.5	27	2.3	0.18	80	350
18B2500310505	3/4	3/4	75	16	24.5	32	2.5	0.30	150	350
18B2800310606	1"	1"	85	21	25	41	2.8	0.45	180	350

*On request versions: Please, contact our customer service.

*Versioni su richiesta: Per cortesia contattare il ns. servizio clienti.