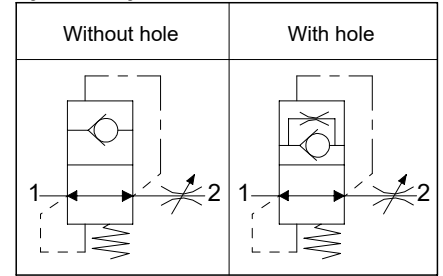


Hose breack valves in female female manifold
Valvole di sicurezza (paracadute) in collettore femmina femmina

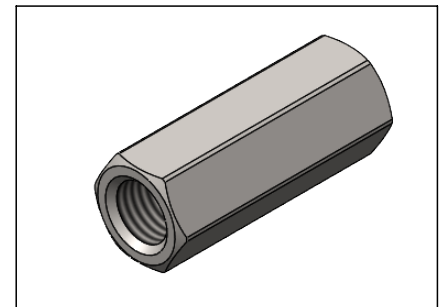
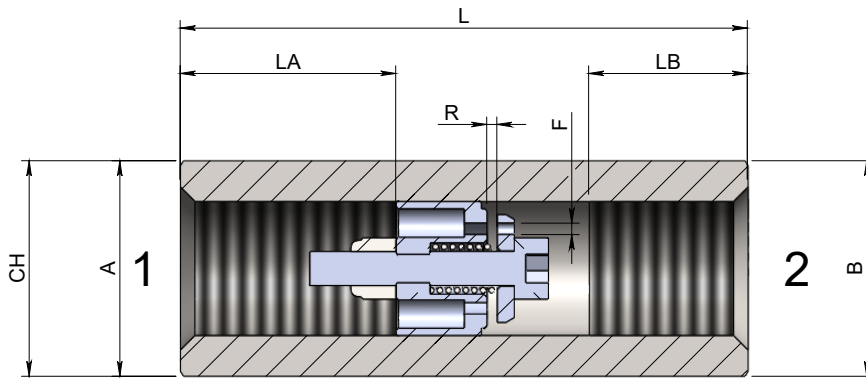
Specifications / Specifiche

Fluid viscosity:	Viscosità Fluido :	ISO 3448
Filtration:	Classe di contaminazione:	ISO 4406
Fluid temperature:	Temperatura fluido:	-20°C +90°C
Ambient temperature:	Temperatura ambiente:	-20°C +50°C

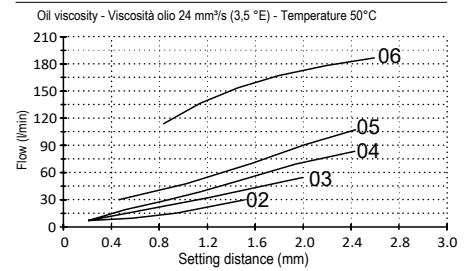
Hydraulic symbol / Simbolo idraulico



Dimensions / Dimensioni (mm)



Performance / Prestazioni



How to order / Come ordinare

18-C--00-3-1-**-****

Example
15 = R 1.5 Setting
20 = R 2.0 Regolazione

Example
00 = No hole Hole F Diameter
01 = F Ø 0.1 Diametro foro F

B thread
Filetto B
02 = 1/4 BSPP
03 = 3/8 BSPP
04 = 1/2 BSPP
05 = 3/4 BSPP
06 = 1" BSPP

A thread
Filetto A
02 = 1/4 BSPP
03 = 3/8 BSPP
04 = 1/2 BSPP
05 = 3/4 BSPP
06 = 1" BSPP

Standard code Codice standard	A thread	B thread	L	LB	LA	CH	R Std	Weight/Peso (kg)	Max. Flow Q max (l/min)	Max. pressure (bar)
18C0900310202	1/4	1/4	50	14	19	19	0.9	0.09	25	350
18C1500310303	3/8	3/8	58	17	23	24	1.5	0.16	50	350
18C2300310404	1/2	1/2	62	18	22.5	27	2.3	0.20	80	350
18C2500310505	3/4	3/4	75	21	23.5	32	2.5	0.30	150	350
18C2800310606	1"	1"	85	23	25	41	2.8	0.55	180	350

*On request versions: Please, contact our customer service.

*Versioni su richiesta: Per cortesia contattare il ns. servizio clienti.