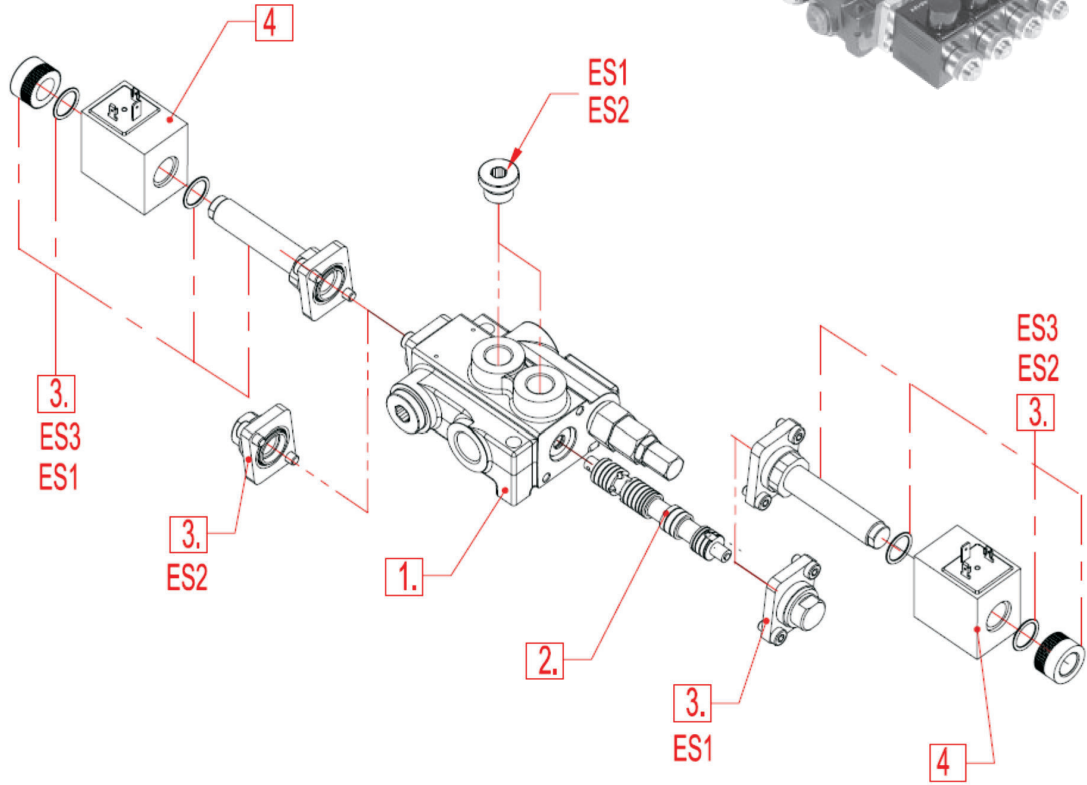


Solenoid direct control with spring return to neutral position.  
Normal konumuna yay geri dönüşlü selenoid valf  
Needs special spools and special body Z50 / Z80  
Özel spullar

ES...SOLENOID DIRECT CONTROL  
ES...SELENOİDLİ KUMANDA KONTOL

### ORDERING EXAMPLE / SİPARİŞ ÖRNEĞİ

Z50 A ES3 12VDC G  
1 2 3 4 5



#### 1.Body kit / Gövde kiti

Type / Tipi	Description/Tanım
Z50/ Z80	1 spool
02Z50/ 02Z80	2 spool
03Z50/ 03Z80	3 spool
04Z50/ 04Z80	4 spool
05Z50/ 05Z80	5 spool
06Z50/ 06Z80	6 spool

#### 2.Spool options / Spol seçenekleri

Type/Tipi	Description / Tanımı
A	Double acting, 3 positions Çift etkili, 3 pozisyonlu with A and B closed in neutral position A ve B nötr pozisyonda kapalıyken
D	Double acting, 3 positions Çift etkili, 3 pozisyonlu with A and B open to Tank in neutral position A ve B nötr pozisyonda Tanka açılıyor

#### 3.Control kit / Kontrol kiti

Type / tipi	Description / Tanımı
Es1	Single acting P-A with spring return in neutral position Tek etkili P-A nötr pozisyona yay dönüşü
Es2	Single acting P-B with spring return in neutral position Tek etkili P-B nötr pozisyona yay dönüşü
Es3	Double acting P-(B) with spring return in neutral position Tek etkili P-(B) nötr pozisyona yay dönüşü

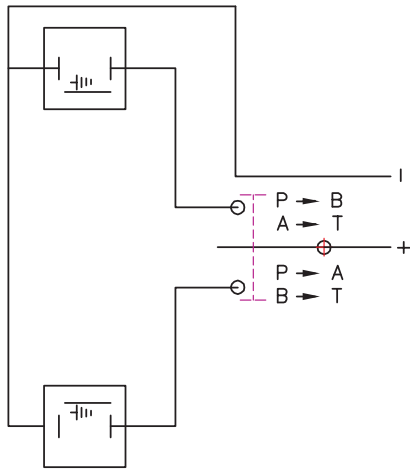
#### 4.Coils

Type / Tipi	Description / Tanımı
(with connector ISO 4400)	
12VDC	Nominal voltage 12VDC Normal voltaj 12VDC
24VDC	Nominal voltage 24VDC Normal voltaj 24VDC

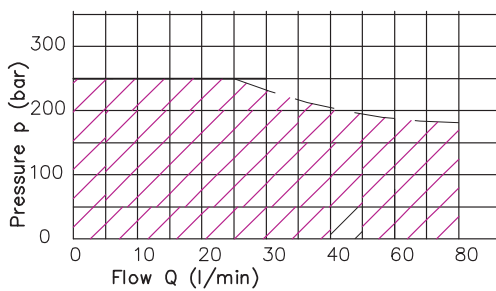
#### 5.Threads

G	P.T - G1/2; A,B - G3/8 ( Z50 )
G	P, A, B-G1/2; T-G3/4 ( Z80 )

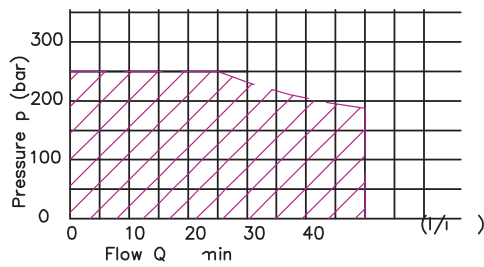
#### Electric wiring sheme



Operating diagram - Z80

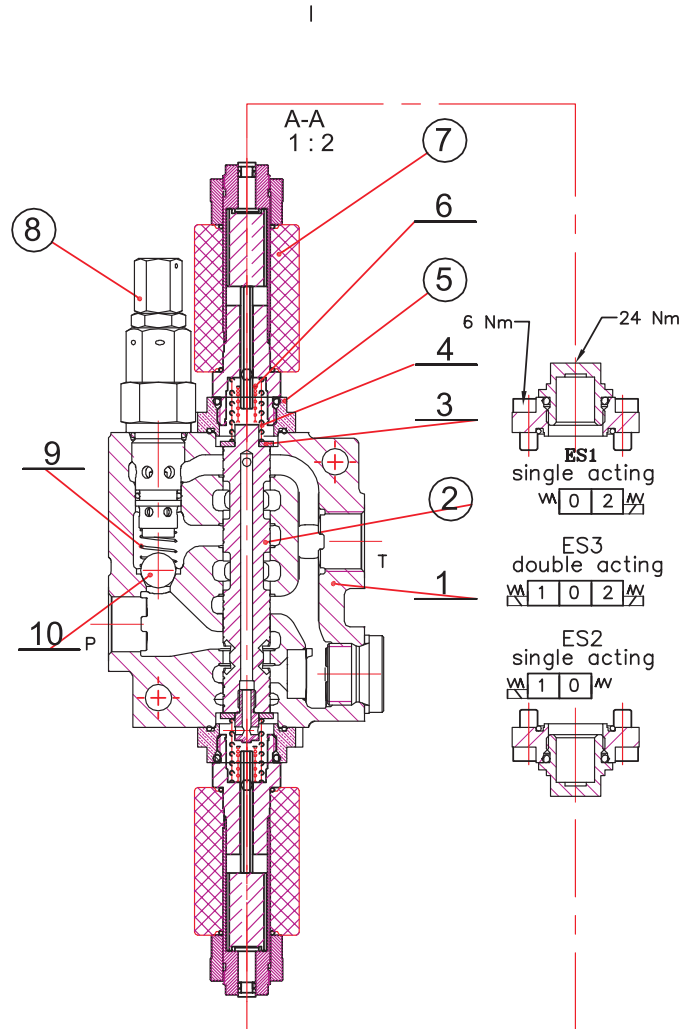


Operating diagram - Z50



#### Directional control valve Z50 / Z80 kumanda kolları

ES ... Solenoid direct control  
ES ... Selenoid kontrollü kumanda kolu



#### Operating features Çalışma Özellikleri

##### Control -Z50

Internal leakage A(B) → T  
(p=120 bar, Viscosity=32 mm<sup>2</sup>/s : max 30 ccm/min)  
Fluid temperature - -20°C(short time) ... 80°C  
Max. back pressure on outlet port T - 25 bar(360 psi)

##### Coil

Nominal voltage tolerance . . . . . ±10%  
Power rating . . . . . 37 W  
Coil insulation . . . . . class H  
Duty cycle . . . . . 100%  
Connector ISO 4400  
Emergency manual override

##### Control - Z80

Internal leakage A(B) → T  
(p=120 bar, Viscosity=32 mm<sup>2</sup>/s : max 40 ccm/min)  
Fluid temperature - -20°C(short time) ... 80°C  
Max. back pressure on outlet port T - 25 bar (360psi)

##### Coil

Nominal voltage tolerance . . . . . ±10%  
Power rating . . . . . 37 W  
Coil insulation . . . . . class H  
Duty cycle . . . . . 100%  
Connector ISO 4400  
Emergency manual override