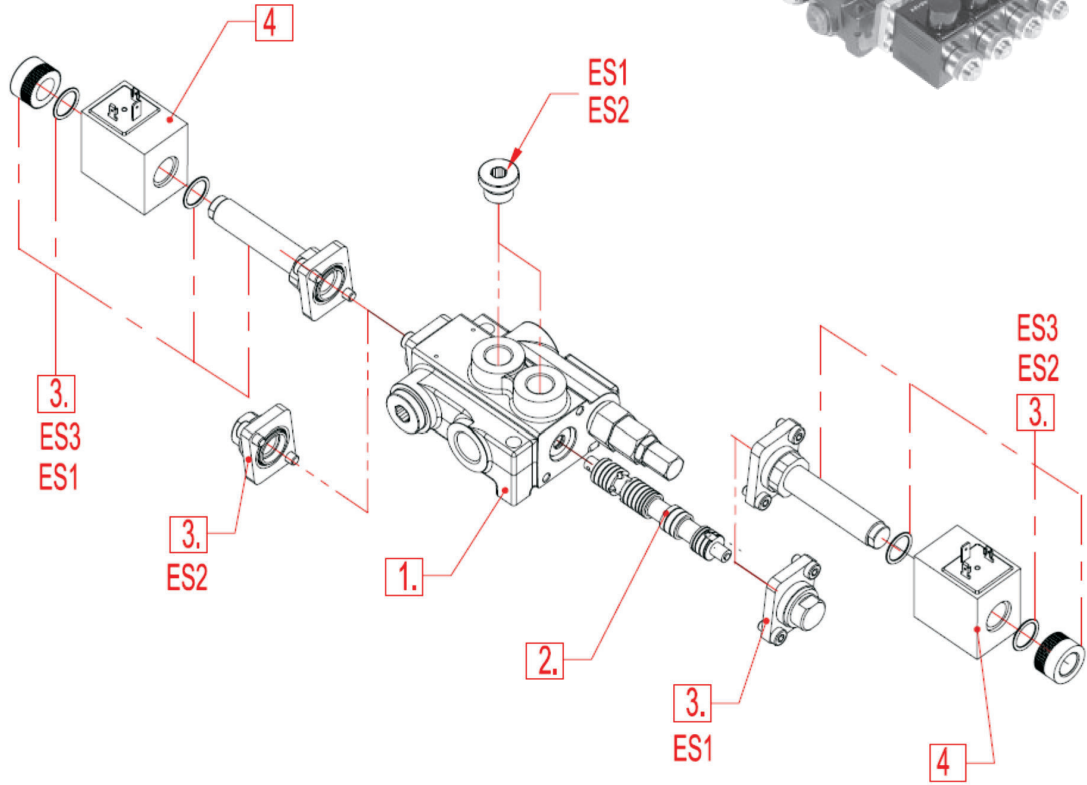


Solenoid direct control with spring return to neutral position.
Normal konumuna yay geri dönüşlü selenoid valf
Needs special spools and special body Z50 / Z80
Özel spullar

ES...SOLENOID DIRECT CONTROL
ES...SELENOİDLİ KUMANDA KONTOL

ORDERING EXAMPLE / SİPARİŞ ÖRNEĞİ

Z50 A ES3 12VDC G
1 2 3 4 5



1.Body kit / Gövde kiti

Type / Tipi	Description/Tanım
Z50/ Z80	1 spool
02Z50/ 02Z80	2 spool
03Z50/ 03Z80	3 spool
04Z50/ 04Z80	4 spool
05Z50/ 05Z80	5 spool
06Z50/ 06Z80	6 spool

2.Spool options / Spol seçenekleri

Type/Tipi	Description / Tanımı
A	Double acting, 3 positions Çift etkili, 3 pozisyonlu with A and B closed in neutral position A ve B nötr pozisyonda kapalıyken
D	Double acting, 3 positions Çift etkili, 3 pozisyonlu with A and B open to Tank in neutral position A ve B nötr pozisyonda Tanka açılıyor

3.Control kit / Kontrol kiti

Type / tipi	Description / Tanımı
Es1	Single acting P-A with spring return in neutral position Tek etkili P-A nötr pozisyona yay dönüşü
Es2	Single acting P-B with spring return in neutral position Tek etkili P-B nötr pozisyona yay dönüşü
Es3	Double acting P-(B) with spring return in neutral position Tek etkili P-(B) nötr pozisyona yay dönüşü

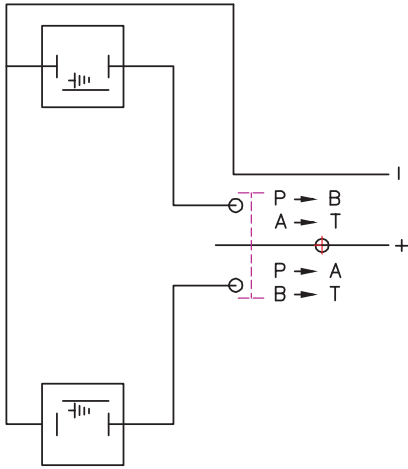
4.Coils

Type / Tipi	Description / Tanımı
(with connector ISO 4400)	
12VDC	Nominal voltage 12VDC Normal voltaj 12VDC
24VDC	Nominal voltage 24VDC Normal voltaj 24VDC

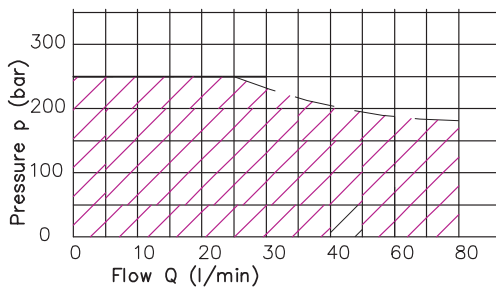
5.Threads

G	P, T - G1/2; A, B - G3/8 (Z50)
G	P, A, B-G1/2; T-G3/4 (Z80)

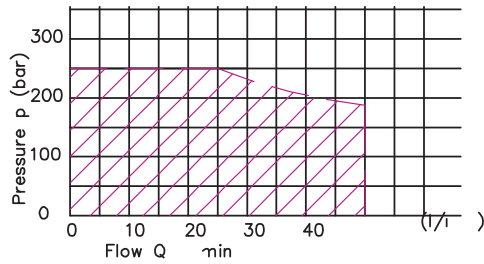
Electric wiring sheme



Operating diagram - Z80

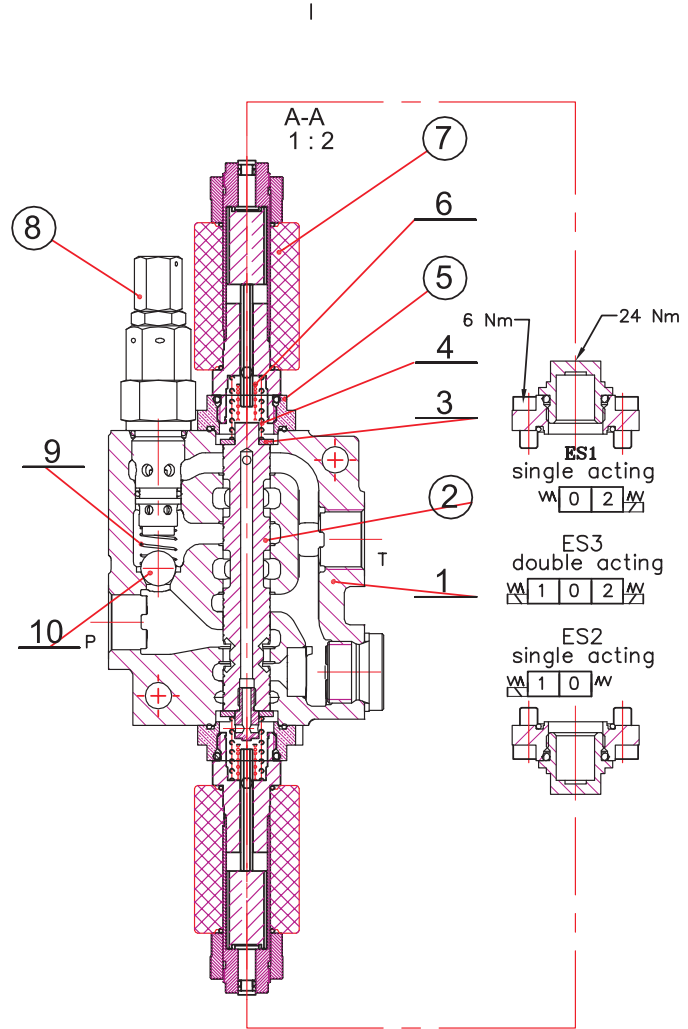


Operating diagram - Z50



Directional control valve Z50 / Z80 kumanda kolları

ES ... Solenoid direct control
ES ... Selenoid kontrollü kumanda kolu



Operating features

Çalışma Özellikleri

Control -Z50

Internal leakage A(B) → T
(p=120 bar, Viscosity=32 mm²/s : max 30 ccm/min)
Fluid temperature - -20°C(short time) ... 80°C
Max. back pressure on outlet port T - 25 bar(360 psi)

Coil

Nominal voltage tolerance ±10%
Power rating 37 W
Coil insulation class H
Duty cicle 100%
Connector ISO 4400
Emergency manual override

Control - Z80

Internal leakage A(B) → T
(p=120 bar, Viscosity=32 mm²/s : max 40 ccm/min)
Fluid temperature - -20°C(short time) ... 80°C
Max. back pressure on outlet port T - 25 bar (360psi)

Coil

Nominal voltage tolerance ±10%
Power rating 37 W
Coil insulation class H
Duty cicle 100%
Connector ISO 4400
Emergency manual override