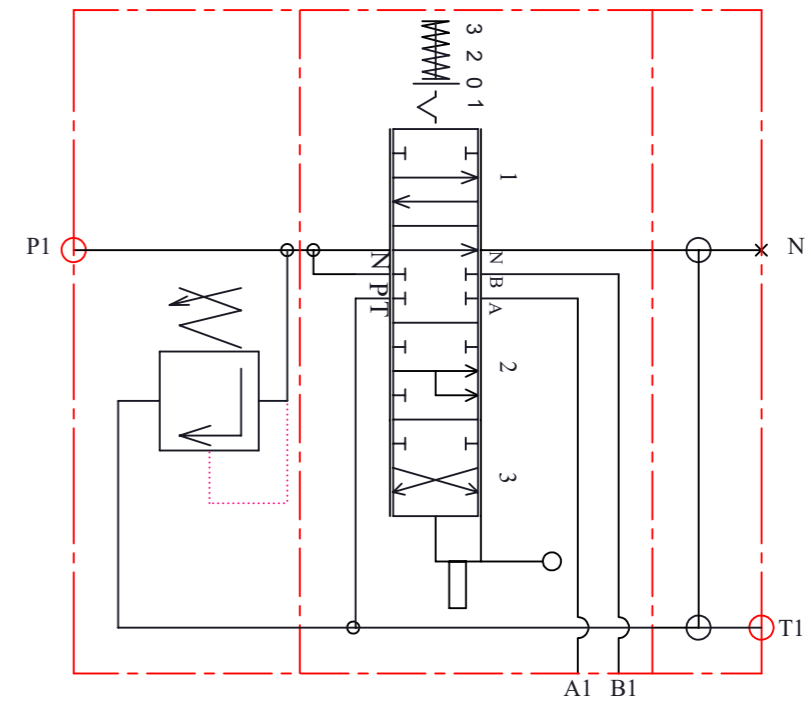
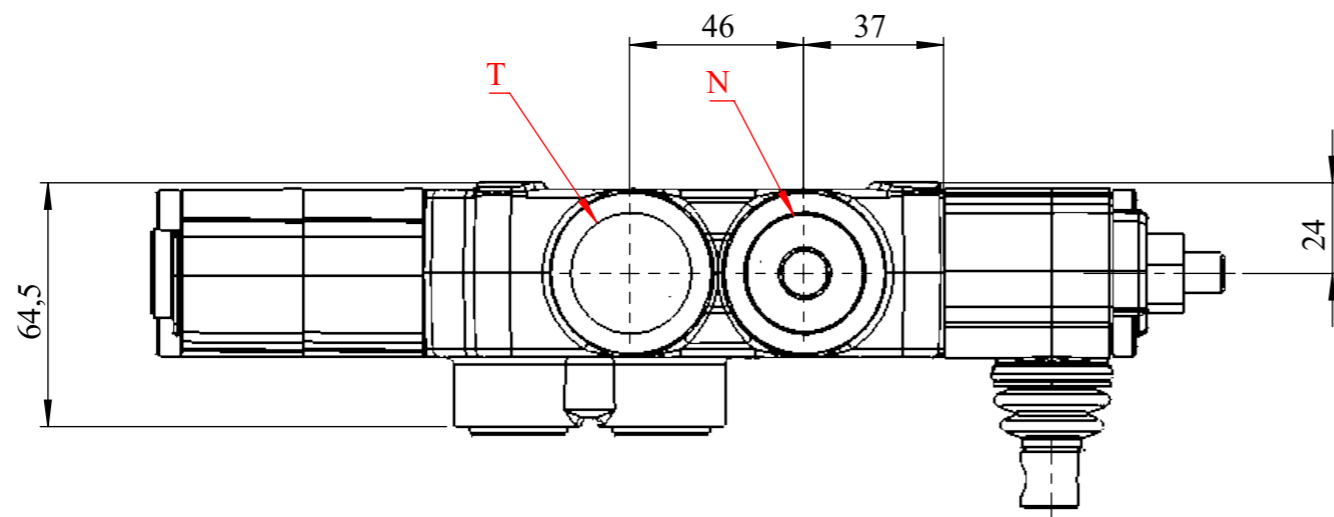
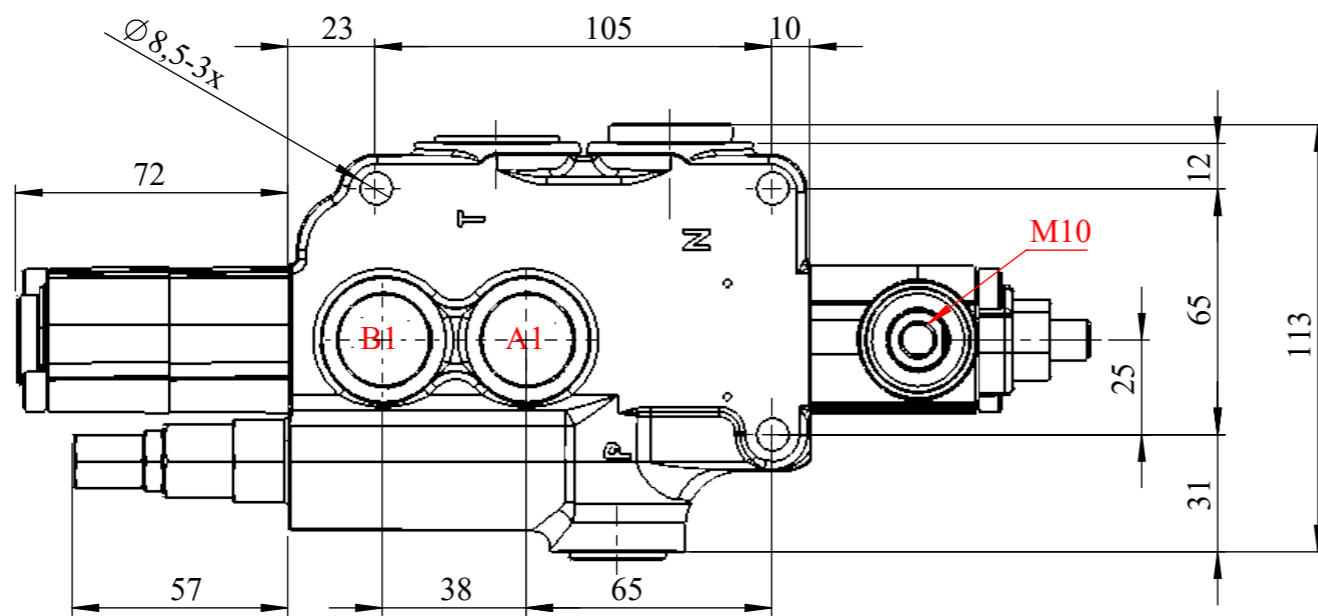
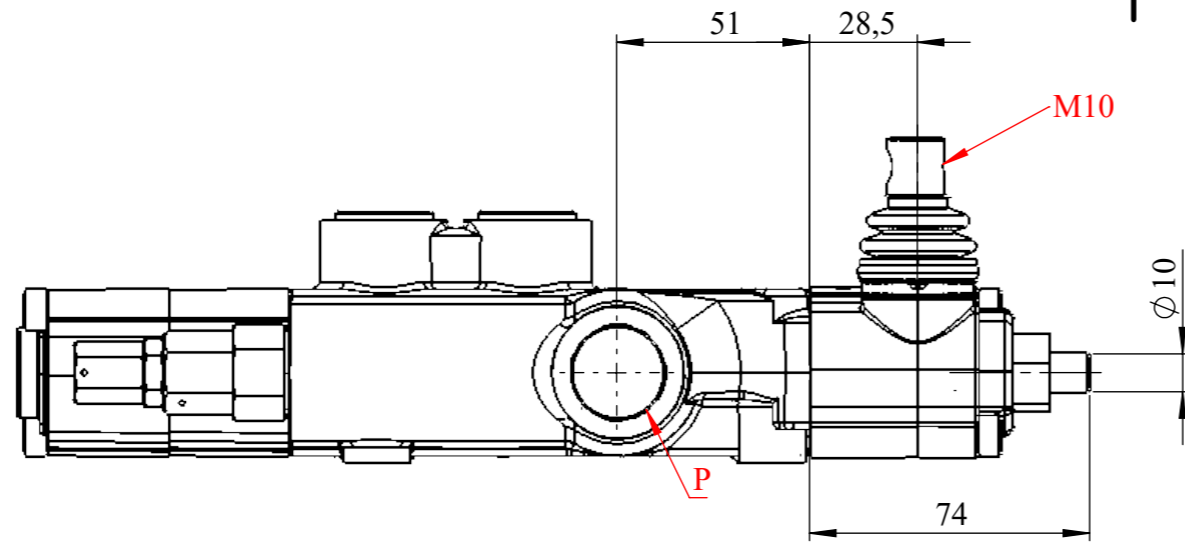


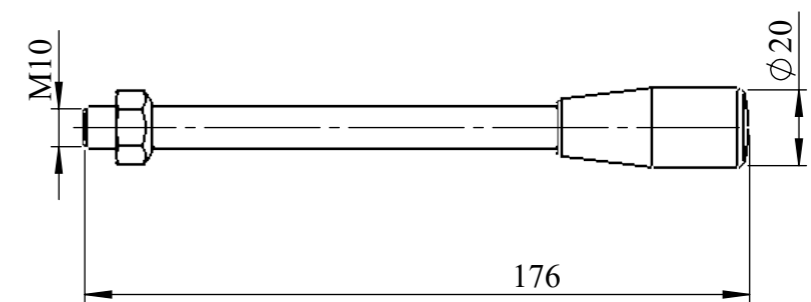
RENMAN®

Hydraulic equipments



Nominal flow rate: 80 l/min
 Operating pressures:
 @ port P - 250 bar
 @ port A, B - 300 bar
 @ port T - 50 bar

Port threads (DIN 3852-2 Type E)
 Port P - BSP G 1/2"
 Port A, B - BSP G 1/2"
 Port T - BSP G 3/4"
 Port N - BSP G 3/4"



sheet	1/1	description	weight (kg)
scale	1:2		
		P80/Us17a/GKZ1T	3.884

Drawn By		№	123.00.00-175
Checked By			