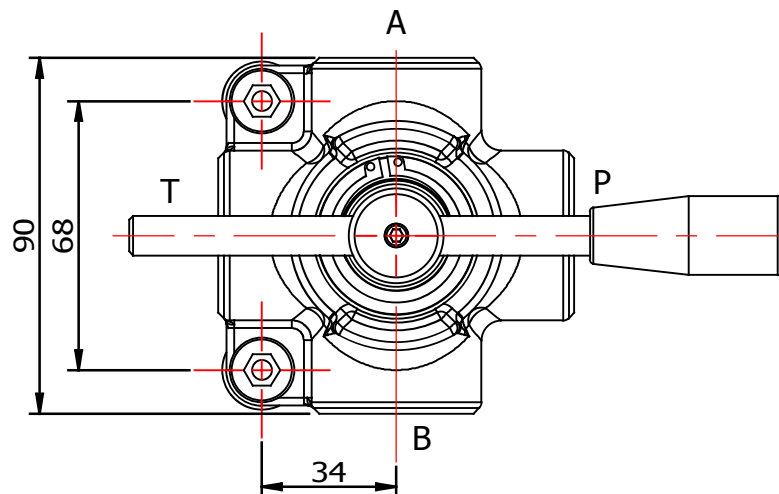
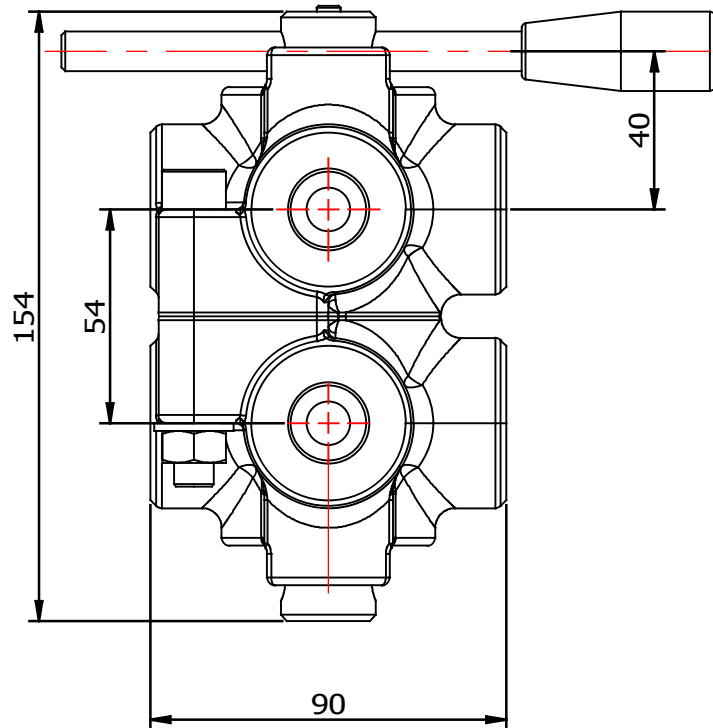




## 662 Rotary Diverter Valves

6-way or 8-way diverter valve is obtained by coupling two 3 or 4 way Rotary Diverter valves 303 using assembling kit



ORDERING CODE (example)

**662 -40.42 - G12**

