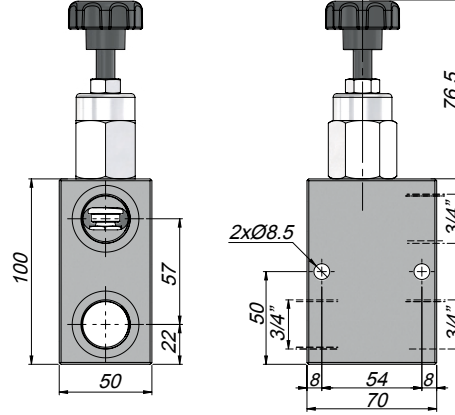
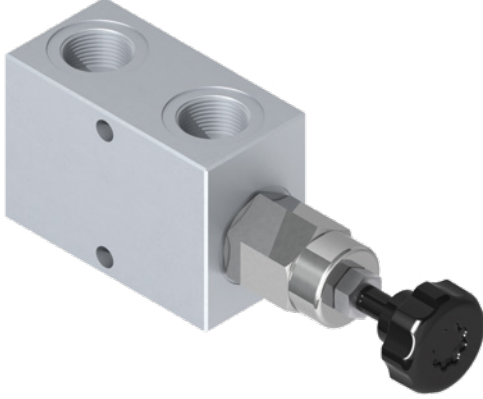


EFDAL
VALVE

TEKNİK VERİLER | TECHNICAL DATA

BASINÇ KONTROL VALFİ | PRESSURE CONTROL VALVE

VALVES



Kod Code	Max.Bar	Max.Litre Max.Liter	Özellikleri Features
	(Bar)	(L/min)	
VEF346V	210	100	3/4" Valve 50-200 bar-Vane