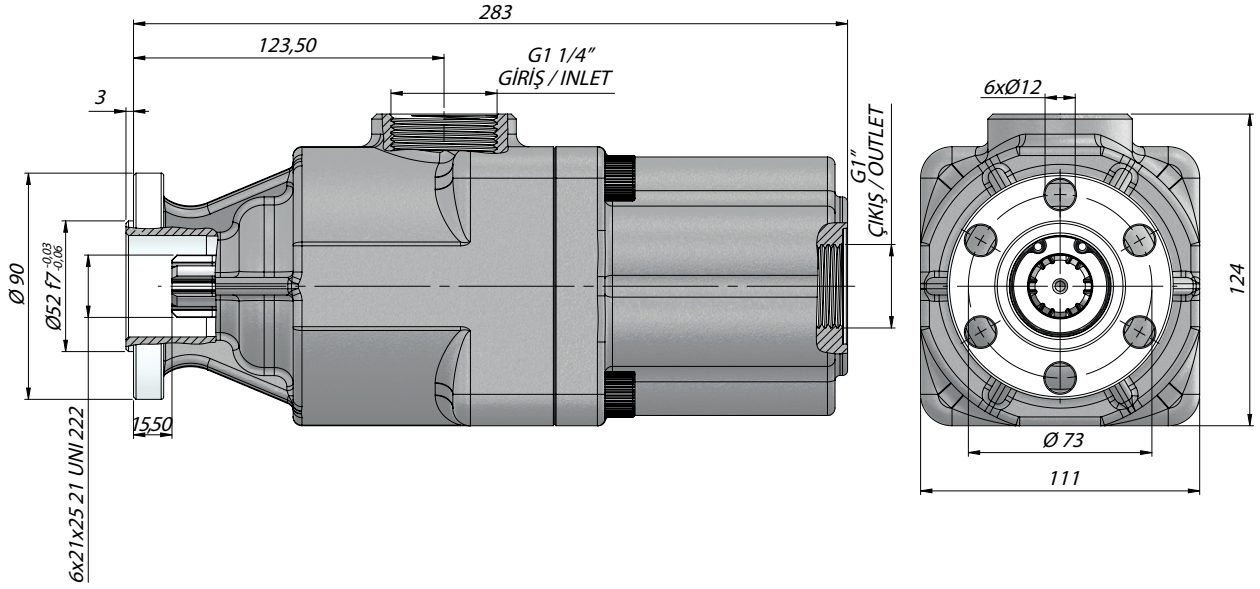


## TEKNİK VERİLER | TECHNICAL DATA

6 DELİKLİ UNI PİSTONLU POMPA | 6 HOLES UNI PISTON PUMP



PISTON  
PUMP

Kod Code	İletim Hacmi Displacement	Maks.Sürekli Basınç Max.Continuous Pressure	Min. Hız Min.Speed	Maks.Sürekli Hız Max.Continuous Speed
	(cm <sup>3</sup> /rev)	(100%)(BAR)	(RPM)	(RPM)
P0820UF431	20	350	300	1800
P0826UF431	26			
P0834UF431	34			
P0842UF431	42			
P0846UF431	46			
P0852UF431	52	300	1500	
P0855UF431	55			
P0860UF431	60			