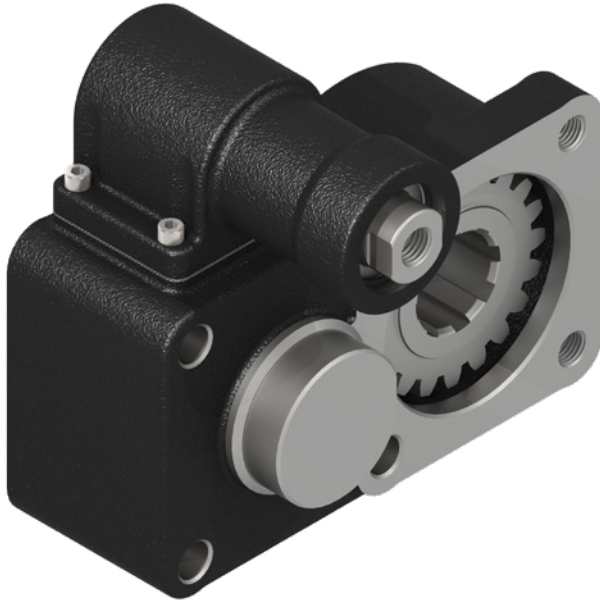
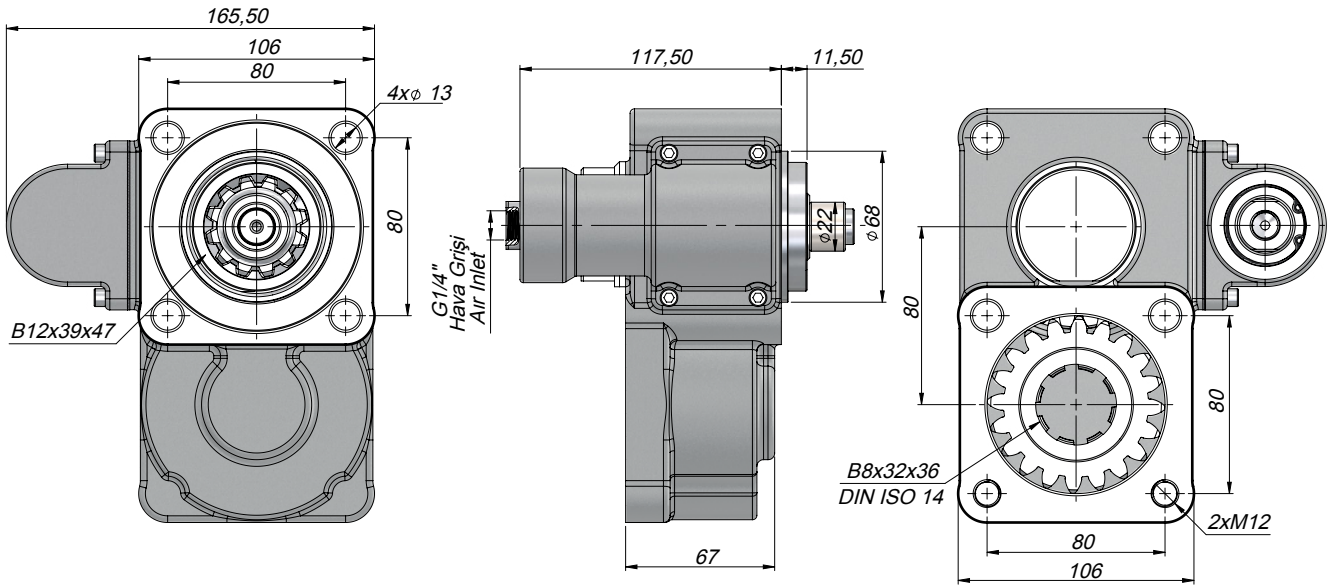


## TEKNİK VERİLER | TECHNICAL DATA



Şanzıman No / Gearbox No

ZF16S251, ZF16S221, ZF16S151, ZF16S150, ZF16S130,  
 ZF S5/AK/65, ZF S5/AK/120, ZF S5/AK/111, ZF S5/AK/110,  
 ZF S5/AK/92, GP ZF S5/AK/6S-90, GP ZF S5/AK/6S-80, GP  
 ZF S5/AK/6S-70, GP ZF S5/AK/6S-66, GP ZF S5/AK/6S-65,  
 GP ZF S5/AK/6S-55, GP ZF S5/AK/6S-50, GP ZF S5/  
 AK/6S-42, GP ZF S5/AK/6S-36, GP ZF S5/AK/6S-35

POWER TAKE  
OFFS

Kod Code	Havalı Çalışma Basıncı Pneumatical Working Pressure	Kontrol Sistemi Control System	Çevrim Oranı Ratio	Çıkış Tork Outlet Torque		Güç Power		Çıkış Hızı Output Speed	Dönüş Yönü Direction Of Rotation
	(Bar)			(Kg <sub>m</sub> )	(Nm)	(Kw)	1000 dev/dak	(dev/dak)	
PT2ZFS12	7-12	Havalı Pneumatic	1,19	29	284	28,2 Hp	20,7 Kw	700	Sol Left