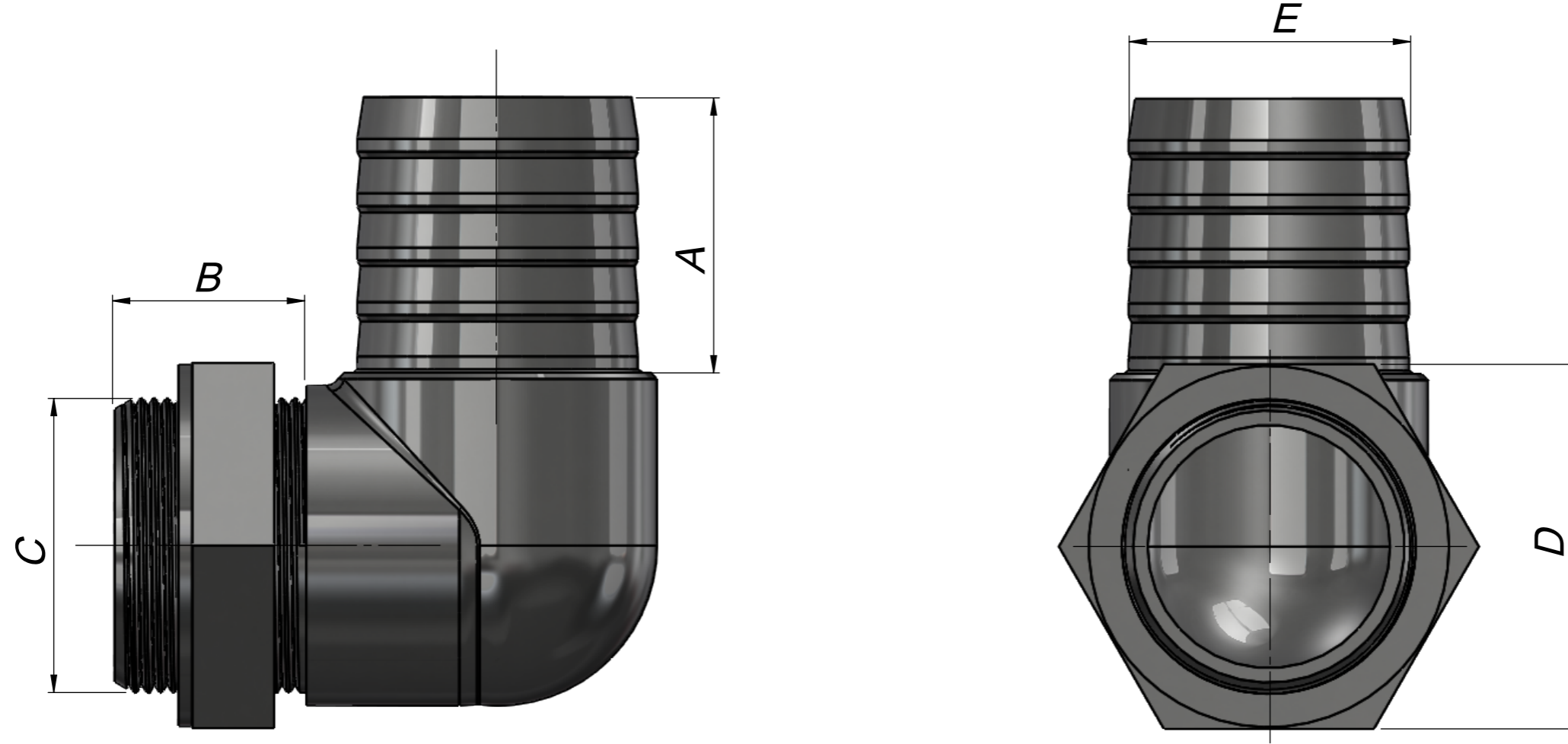


REV REV TARİHİ AÇIKLAMA



	A	B	C	D	E
R1"x38	48	32	BSP R1"-11	41	38
R1"x45	48	32	BSP R1"-11	41	45
R1"x51	48	32	BSP R1"-11	41	51
R1 1/4"x38	48	32	BSP R1 1/4"-11	50	38
R1 1/4"x45	48	32	BSP R1 1/4"-11	50	45
R1 1/4"x51	48	32	BSP R1 1/4"-11	50	51
R1 1/2"x38	48	32	BSP R1 1/2"-11	55	38
R1 1/2"x45	48	32	BSP R1 1/2"-11	55	45
R1 1/2"x51	48	32	BSP R1 1/2"-11	55	51