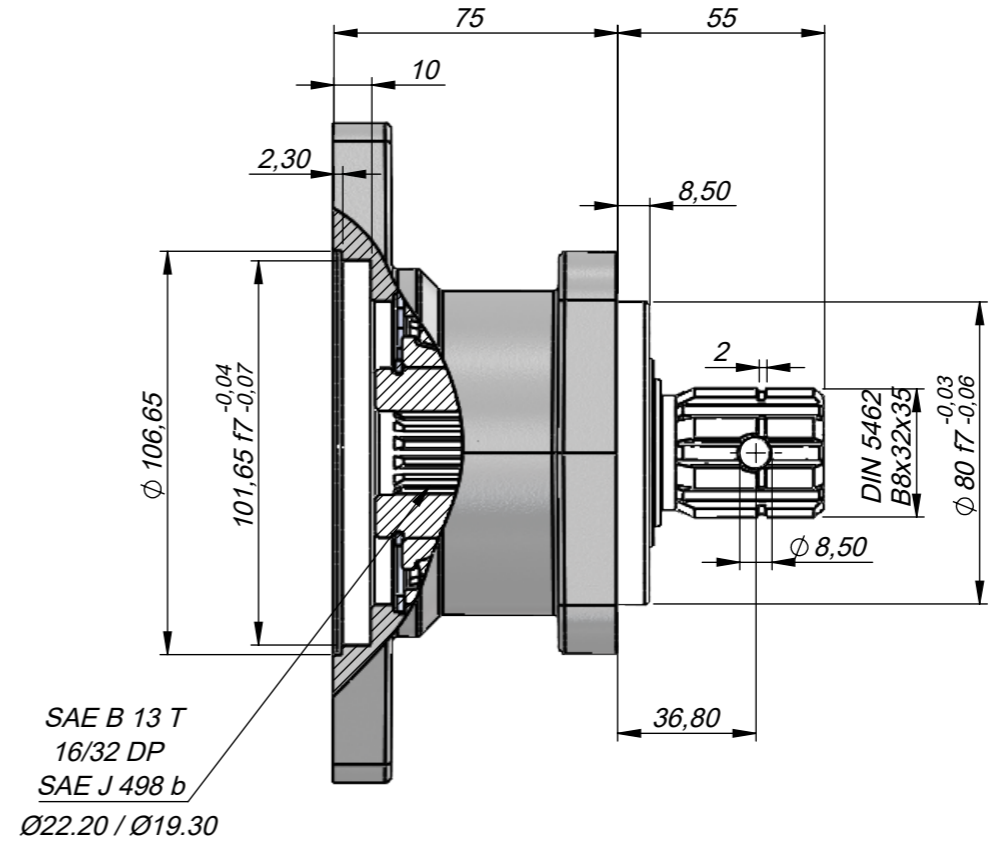
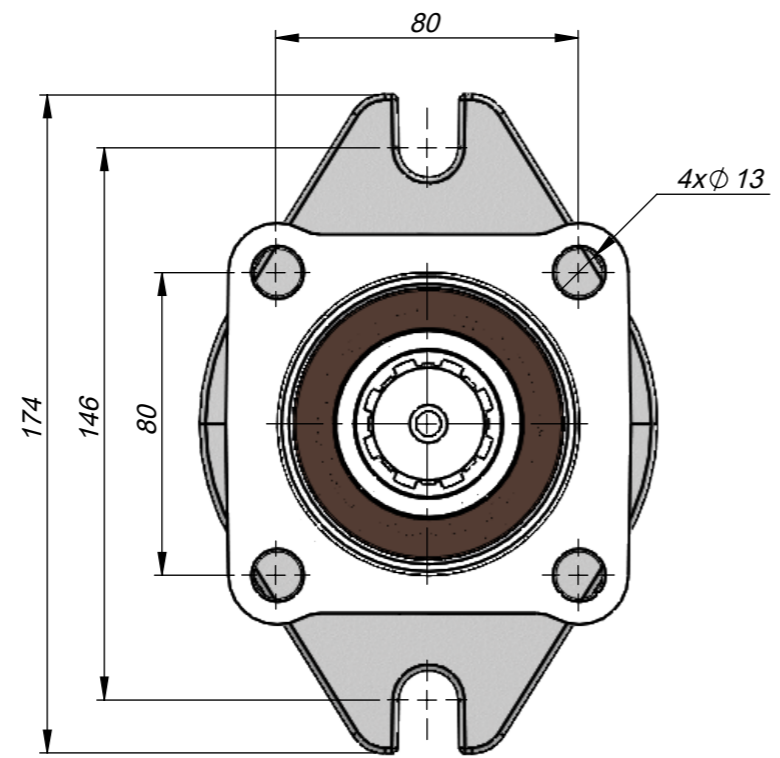


REV	REV DATE	DESCRIPTION



NAME-SURNAME	DATE	SIGNATURE
	20.05.2019	
SCALE 1:2 PRODUCT NAME: EVSAT-20		