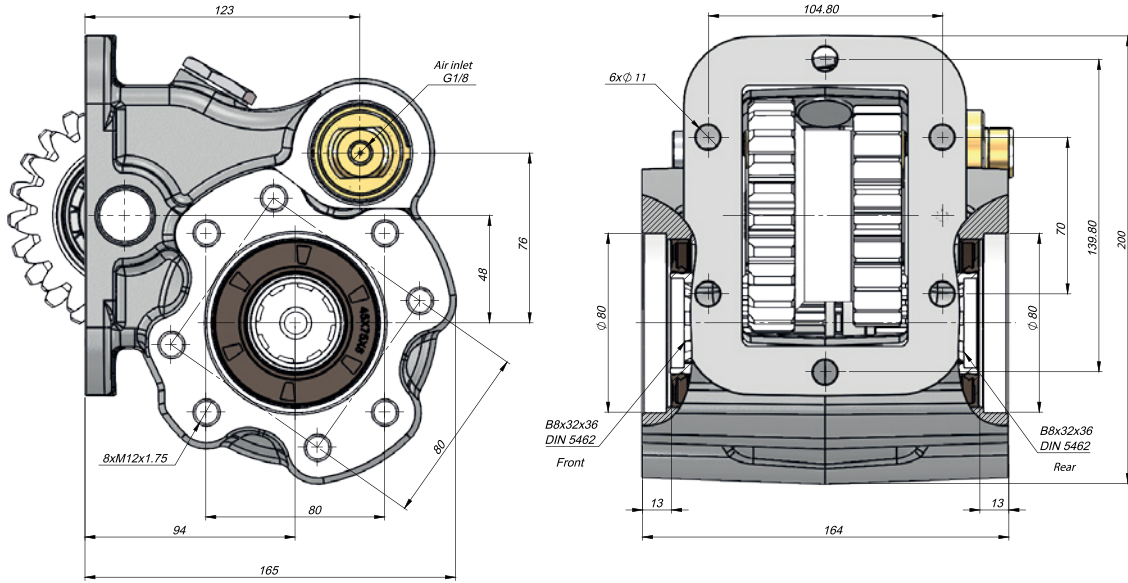
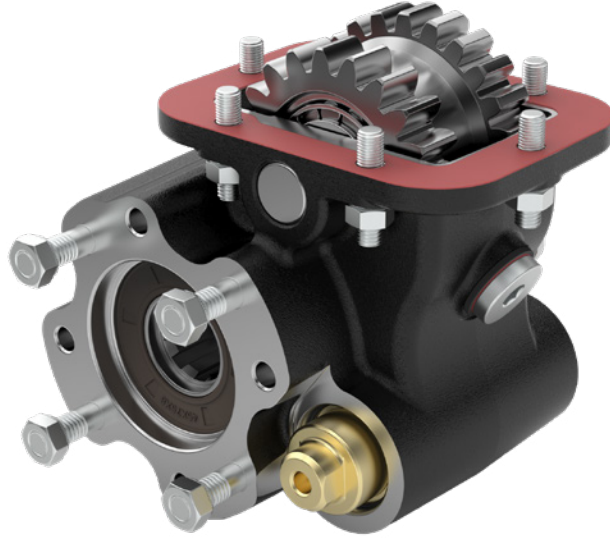


TEKNİK VERİLER | TECHNICAL DATA



POWER TAKE
OFFS

Kod Code	Şanzıman No Gearbox No	Montaj Assembly	Kontrol Sistemi Control System	P.T.O Mil Dönüş Yönü P.T.O Shaft Rotation	Çıkış Tork Output Torque (Nm)	PTO Devir PTO Speed @1000 RPM	
GBKM1415100	KAMAZ 14-100 5 MARCE/SPEED	Sağ Right	Havalı Pneumatic	Sol(Arka) Left(Rear)	350	Low	High
	KAMAZ 15-100 10 MARCE/SPEED			Sağ(Ön) Right(Front)		661	812*

812* RPM is just for gearbox of KAMAZ 15-100 10 MARCE/SPEED