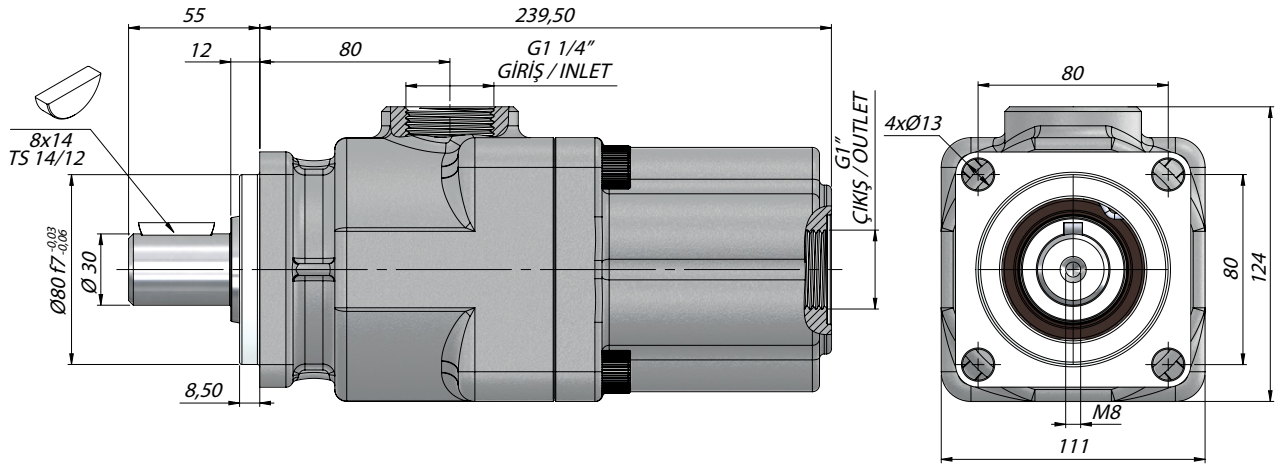


TEKNİK VERİLER | TECHNICAL DATA

4 DELİKLİ ISO KAMALI PİSTONLU POMPA | 4 HOLES ISO PISTON PUMP WITH KEYPED SHAFT



PISTON
PUMP

Kod Code	İletim Hacmi Displacement	Maks.Sürekli Basınç Max.Continuous Pressure	Min. Hız Min.Speed	Maks.Sürekli Hız Max.Continuous Speed
	(cm ³ /rev)	(100%)(BAR)	(RPM)	(RPM)
P0820SK1531	20	350	300	1800
P0826SK1531	26			
P0834SK1531	34			
P0842SK1531	42			
P0846SK1531	46			
P0852SK1531	52			
P0855SK1531	55	300	1500	
P0860SK1531	60			