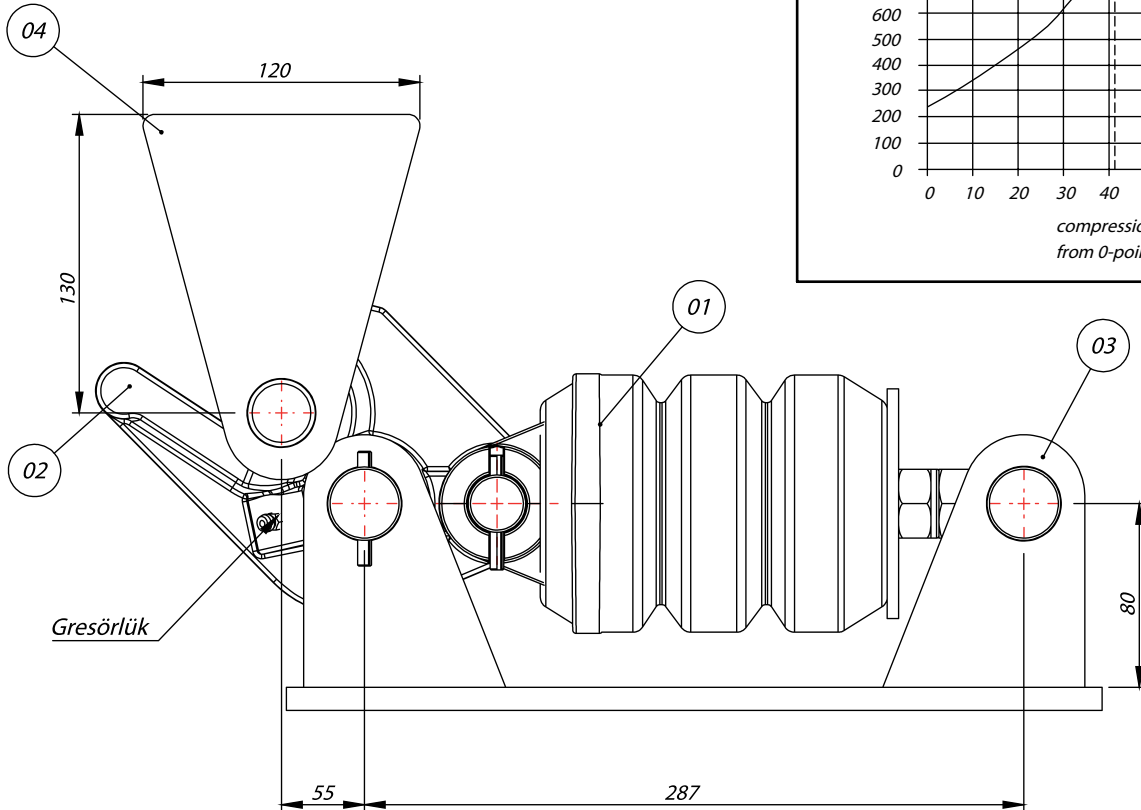
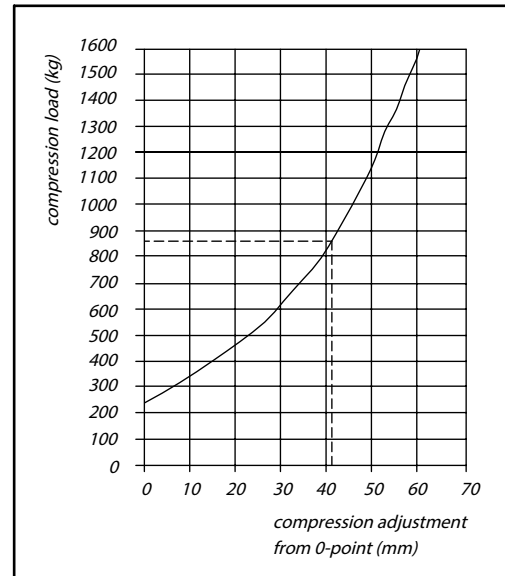


TEKNİK VERİLER | TECHNICAL DATA



Compression load diagram

POS	Description
01	Lever operated clamp
02	Hook
03	Frame Stell
04	Bracket Stell



Kod  
Code KZL1630