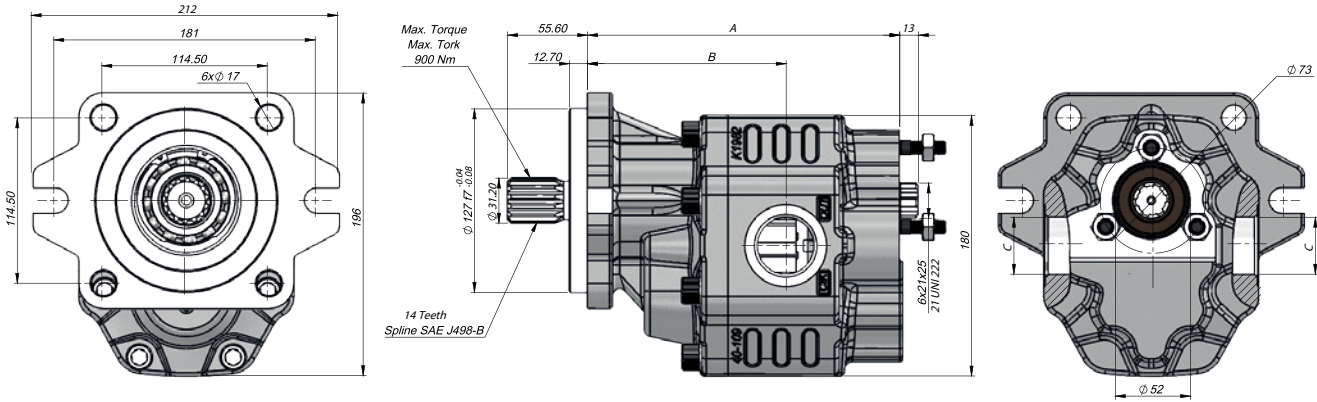


TEKNİK VERİLER | TECHNICAL DATA

2+4 DELİKLİ SAE C 14 DİŞ TANDEM DİŞLİ POMPA | 2+4 HOLES SAE C 14 TEETH TANDEM GEAR PUMP

Giriş Basıncı Inlet Pressure		0.3÷ 2 bar	
Çalışma Viskozite Seviyesi Operating Viscosity Range		-12:100 cSt	
Sıvı Sıcaklığı Fluid Temperature		-40 °C+145 °C	
Çalışma Basıncı Working Pressure	Kirlilik Contamination	Filtre Filter	
	NAS 1638	ISO 4406	$\beta_x=75$
≥200 bar	11	20/17	25 μ m
≤200 bar	12	21/18	40 μ m



Kod Code			İletim Hacmi Displacement (cm ³ /rev)	Maks.Sürekli Basınç Max.Continuous Pressure (100%)(BAR)	Min. Hız Min.Speed (RPM)	Maks.Sürekli Hız Max.Continuous Speed (RPM)	A (mm)	B (mm)	Giriş Inlet C	Çıkış Outlet D
Sol / Left	Sağ / Right	BD								
GT40063CF1011	GT40063CF1021	GT40063CF1031	63	290	300	1800	199	127,5	G1"	G3/4"
GT40073CF1011	GT40073CF1021	GT40073CF1031	73	280			203	127,5		
GT40087CF1011	GT40087CF1021	GT40087CF1031	87	260			208	131,5	G1 1/4"	
GT40109CF1011	GT40109CF1021	GT40109CF1031	109	250			216	137,5		
GT40133CF1011	GT40133CF1021	GT40133CF1031	133	220			225	138,5	G1 1/2"	
GT40151CF1011	GT40151CF1021	GT40151CF1031	151	180			231	141		

*The values in the table refer to unidirectional pumps. Reversible pump max pressures are 10% lower than those shown in table.
For different working conditions please consult our sales department.