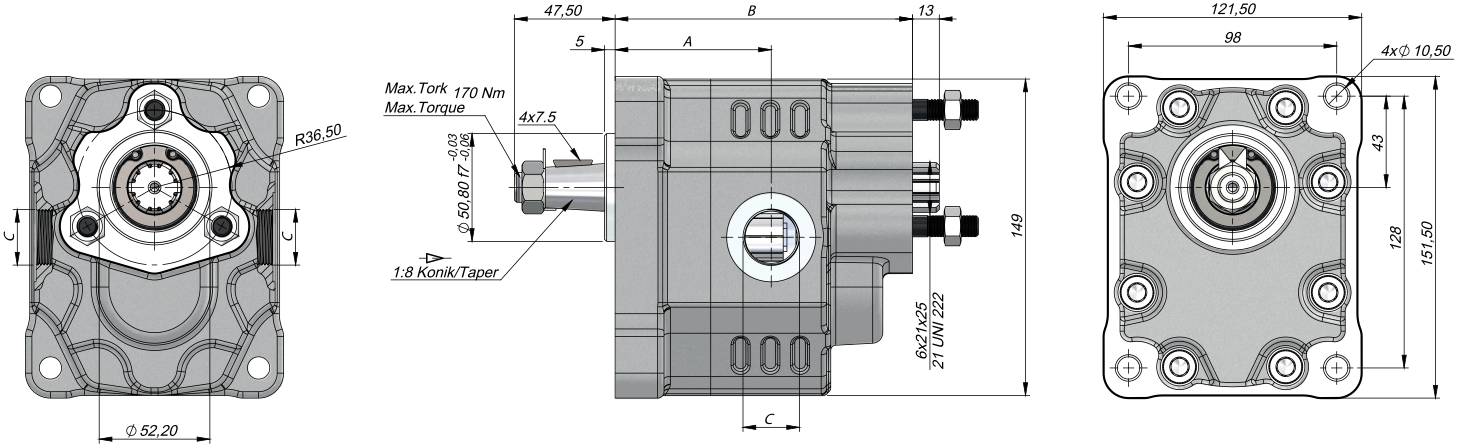


4 DELİKLİ KAMALI K TANDEM DİŞLİ POMPA | 4 HOLES WITH KEYED K TANDEM GEAR PUMP

Giriş Basıncı Inlet Pressure	0.3÷ 2 bar		
Çalışma Viskozite Seviyesi Operating Viscosity Range	-12:100 cSt		
Sıvı Sıcaklığı Fluid Temperature	-40 °C+145 °C		
Çalışma Basıncı Working Pressure	Kirlilik Contamination		Filtre Filter
	NAS 1638	ISO 4406	$\beta_x=75$
≥ 200 bar	11	20/17	25 μm
≤ 200 bar	12	21/18	40 μm



Kod Code		İletim Hacmi Displacement	Maks.Sürekli Basıncı Max.Continuous Pressure	Min. Hız Min.Speed	Maks.Sürekli Hız Max.Continuous Speed	A	B	Giriş Inlet	Çıkış Outlet
Sol / Left	Sağ / Right	(cm ³ /rev)	(100%)(BAR)	(RPM)	(RPM)	(mm)	(mm)	C	D
GT30017KK611	GT30017KK621	GT30017KK631	17	300	2600	182,5	123,5	G1/2"	G1/2"
GT30027KK611	GT30027KK621	GT30027KK631	27	290		188,5	126,5		
GT30034KK611	GT30034KK621	GT30034KK631	34	285	2300	193,5	128,5	G3/4"	G3/4"
GT30036KK611	GT30036KK621	GT30036KK631	36			195	128,5		
GT30038KK611	GT30038KK621	GT30038KK631	38	280	2100	193,5	128,5	G1"	G1"
GT30043KK611	GT30043KK621	GT30043KK631	43			199,5	133		
GT30051KK611	GT30051KK621	GT30051KK631	51	230	2000	204,5	134,5	G1 1/4"	G1 1/4"
GT30061KK611	GT30061KK621	GT30061KK631	61	225		212,5	138,5		
GT30073KK611	GT30073KK621	GT30073KK631	73	215	1800	217,5	146,5	G1"	G1"
GT30082KK611	GT30082KK621	GT30082KK631	82	200		223,5	146		
GT30100KK611	GT30100KK621	GT30100KK631	100	190	1700	236,5	160	G1 1/4"	G1 1/4"
GT30125KK611	GT30125KK621	GT30125KK631	125	170		252,5	164		

*The values in the table refer to unidirectional pumps. Reversible pump max pressures are 10% lower than those shown in table. For different working conditions please consult our sales department.