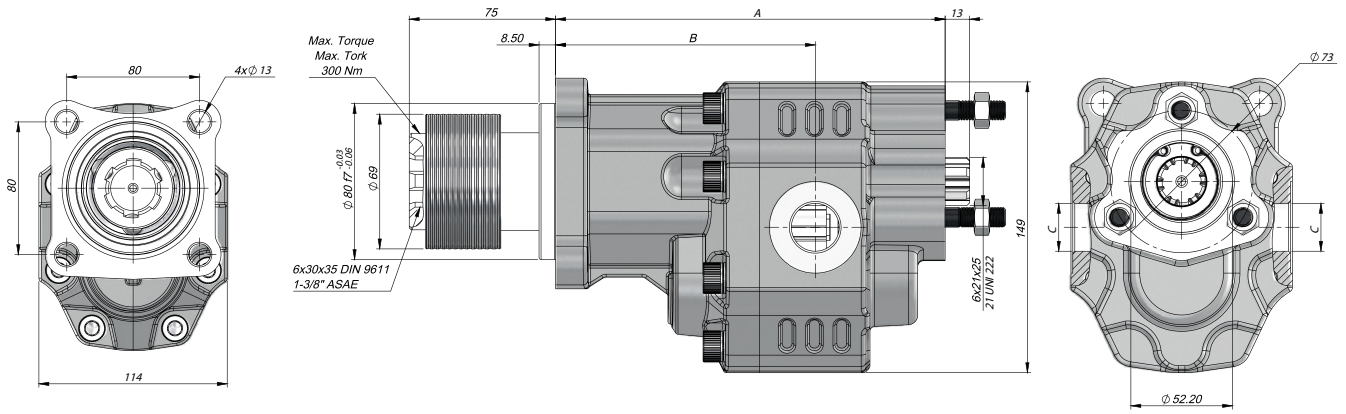


TEKNİK VERİLER | TECHNICAL DATA

4 DELİKLİ TRC TANDEM DİŞLİ POMPA | 4 HOLES TRC TANDEM GEAR PUMP

Giriş Basıncı Inlet Pressure		0.3÷ 2 bar	
Çalışma Viskozite Seviyesi Operating Viscosity Range		-12:100 cSt	
Sıvı Sıcaklığı Fluid Temperature		-40 °C+145 °C	
Çalışma Basıncı Working Pressure	Kirlilik Contamination		Filtre Filter
	NAS 1638	ISO 4406	$\beta_x=75$
≥200 bar	11	20/17	25 μ m
≤200 bar	12	21/18	40 μ m



Kod Code		İletim Hacmi Displacement	Maks.Sürekli Basıncı Max.Continuous Pressure	Min. Hız Min.Speed	Maks.Sürekli Hız Max.Continuous Speed	A	B	Giriş Inlet	Çıkış Outlet	
Sol / Left	Sağ / Right	BD	(cm ³ /rev)	(100%)(BAR)	(RPM)	(mm)	(mm)	C	D	
GT30017SF311	GT30017SF321	GT30017SF331	17	300	300	182,5	123,5	G1/2"	G1/2"	
GT30027SF311	GT30027SF321	GT30027SF331	27	290		188,5	126,5			
GT30034SF311	GT30034SF321	GT30034SF331	34	285		193,5	128,5	G3/4"	G3/4"	
GT30036SF311	GT30036SF321	GT30036SF331	36			195	128,5			
GT30038SF311	GT30038SF321	GT30038SF331	38			193,5	128,5			
GT30043SF311	GT30043SF321	GT30043SF331	43	280		199,5	133	G1"	G1"	
GT30051SF311	GT30051SF321	GT30051SF331	51	230		204,5	134,5			
GT30061SF311	GT30061SF321	GT30061SF331	61	225		212,5	138,5			
GT30073SF311	GT30073SF321	GT30073SF331	73	215		1800	217,5	146,5	G1 1/4"	G1 1/4"
GT30082SF311	GT30082SF321	GT30082SF331	82	200		1700	223,5	146		
GT30100SF311	GT30100SF321	GT30100SF331	100	190		1600	236,5	160	G1 1/4"	G1 1/4"
GT30125SF311	GT30125SF321	GT30125SF331	125	170			252,5	164		

*The values in the table refer to unidirectional pumps. Reversible pump max pressures are 10% lower than those shown in table. For different working conditions please consult our sales department.