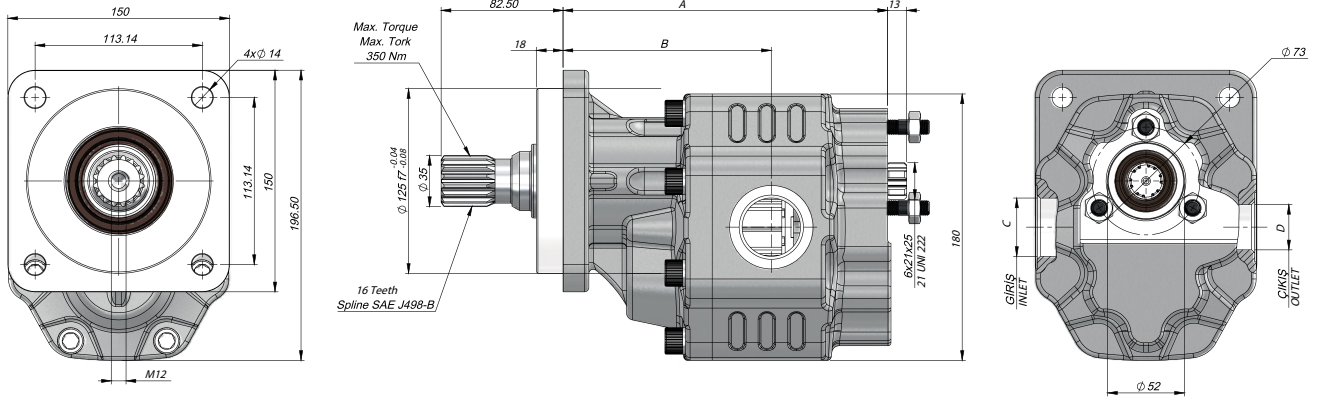


Giriş Basıncı Inlet Pressure		0.3÷ 2 bar	
Çalışma Viskozite Seviyesi Operating Viscosity Range		-12:100 cSt	
Sıvı Sıcaklığı Fluid Temperature		-40 °C+145 °C	
Çalışma Basıncı Working Pressure	Kirlilik Contamination		Filtre Filter
	NAS 1638	ISO 4406	$\beta_x=75$
≥ 200 bar	11	20/17	25 μm
≤ 200 bar	12	21/18	40 μm



Kod Code		İletim Hacmi Displacement	Maks.Sürekli Basınç Max.Continuous Pressure	Min. Hız Min.Speed	Maks.Sürekli Hız Max.Continuous Speed	A	B	Giriş Inlet	Çıkış Outlet
Sol / Left	Sağ / Right	BD	(cm ³ /rev)	(100%)(BAR)	(RPM)	(mm)	(mm)	C	D
GT40063RF911	GT40063RF921	GT40063RF931	63	290	300	203	131	G1"	G3/4"
GT40073RF911	GT40073RF921	GT40073RF931	73	280		207	131	G1 1/4"	
GT40087RF911	GT40087RF921	GT40087RF931	87	260		212	135		G1"
GT40109RF911	GT40109RF921	GT40109RF931	109	250		220	141	G1 1/2"	
GT40133RF911	GT40133RF921	GT40133RF931	133	220		229	142		
GT40151RF911	GT40151RF921	GT40151RF931	151	180		235	144,5		

*The values in the table refer to unidirectional pumps. Reversible pump max pressures are 10% lower than those shown in table. For different working conditions please consult our sales department.