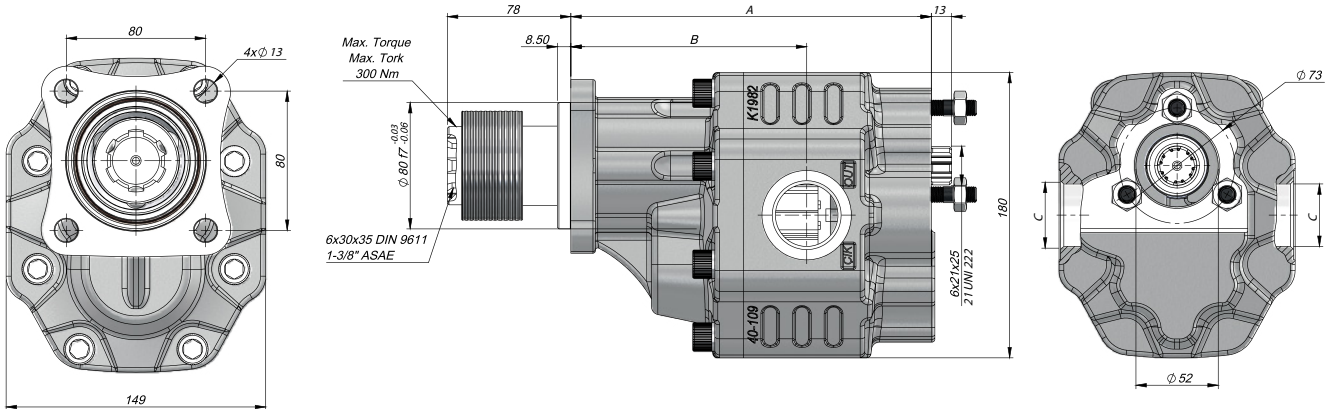


TEKNİK VERİLER | TECHNICAL DATA

4 DELİKLİ TRC TANDEM DİŞLİ POMPA | 4 HOLES TRC TANDEM GEAR PUMP

Giriş Basıncı Inlet Pressure		0.3÷ 2 bar	
Çalışma Viskozite Seviyesi Operating Viscosity Range		-12:100 cSt	
Sıvı Sıcaklığı Fluid Temperature		-40 °C+145 °C	
Çalışma Basıncı Working Pressure	Kirlilik Contamination		Filtre Filter
	NAS 1638	ISO 4406	$\beta_x=75$
≥200 bar	11	20/17	25 μ m
≤200 bar	12	21/18	40 μ m



Kod Code		İletim Hacmi Displacement	Maks.Sürekli Basınç Max.Continuous Pressure	Min. Hız Min.Speed	Maks.Sürekli Hız Max.Continuous Speed	A	B	Giriş Inlet	Çıkış Outlet
Sol / Left	Sağ / Right	BD	(cm ³ /rev)	(100%)(BAR)	(RPM)	(mm)	(mm)	C	D
GT40063SF311	GT40063SF321	GT40063SF331	63	290	300	211	139	G1"	G3/4"
GT40073SF311	GT40073SF321	GT40073SF331	73	280		215	139	G1 1/4"	
GT40087SF311	GT40087SF321	GT40087SF331	87	260		220	143		G1"
GT40109SF311	GT40109SF321	GT40109SF331	109	250		228	149	G1 1/2"	
GT40133SF311	GT40133SF321	GT40133SF331	133	220		237	150		G1"
GT40151SF311	GT40151SF321	GT40151SF331	151	180		243	152,5		

*The values in the table refer to unidirectional pumps. Reversible pump max pressures are 10% lower than those shown in table. For different working conditions please consult our sales department.