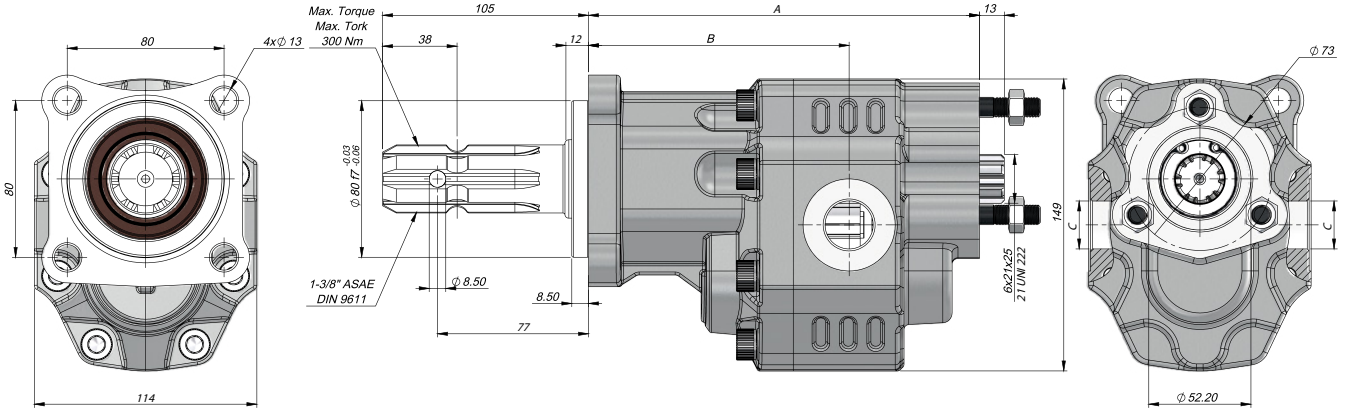


4 DELİKLİ ASAE-L TANDEM DİŞLİ POMPA | 4 HOLES ASAE-L TANDEM GEAR PUMP

Giriş Basıncı Inlet Pressure	0.3÷ 2 bar		
Çalışma Viskozite Seviyesi Operating Viscosity Range	-12:100 cSt		
Sıvı Sıcaklığı Fluid Temperature	-40 °C+145 °C		
Çalışma Basıncı Working Pressure	Kirlilik Contamination		Filtre Filter
	NAS 1638	ISO 4406	$\beta_x=75$
≥200 bar	11	20/17	25 μ m
≤200 bar	12	21/18	40 μ m



Kod Code		İletim Hacmi Displacement	Basınç Max.Continuous Pressure	Min. Hız Min.Speed	Hız Max.Continuous Speed	A	B	Giriş Inlet	Çıkış Outlet	
Sol / Left	Sağ / Right	BD	(cm ³ /rev)	(100%)(BAR)	(RPM)	(mm)	(mm)	C	D	
GT30017SF811	GT30017SF821	GT30017SF831	17	300	300	182,5	123,5	G1/2"	G1/2"	
GT30027SF811	GT30027SF821	GT30027SF831	27	290		188,5	126,5			
GT30034SF811	GT30034SF821	GT30034SF831	34	285		193,5	128,5	G3/4"	G3/4"	
GT30036SF811	GT30036SF821	GT30036SF831	36			195	128,5			
GT30038SF811	GT30038SF821	GT30038SF831	38			193,5	128,5			
GT30043SF811	GT30043SF821	GT30043SF831	43	280		2100	199,5	133	G1"	G1"
GT30051SF811	GT30051SF821	GT30051SF831	51	230		204,5	134,5			
GT30061SF811	GT30061SF821	GT30061SF831	61	225		2000	212,5	138,5		
GT30073SF811	GT30073SF821	GT30073SF831	73	215		1800	217,5	146,5	G1 1/4"	G1 1/4"
GT30082SF811	GT30082SF821	GT30082SF831	82	200		1700	223,5	146		
GT30100SF811	GT30100SF821	GT30100SF831	100	190		1600	236,5	160	G1 1/4"	G1 1/4"
GT30125SF811	GT30125SF821	GT30125SF831	125	170			252,5	164		

*The values in the table refer to unidirectional pumps. Reversible pump max pressures are 10% lower than those shown in table. For different working conditions please consult our sales department.