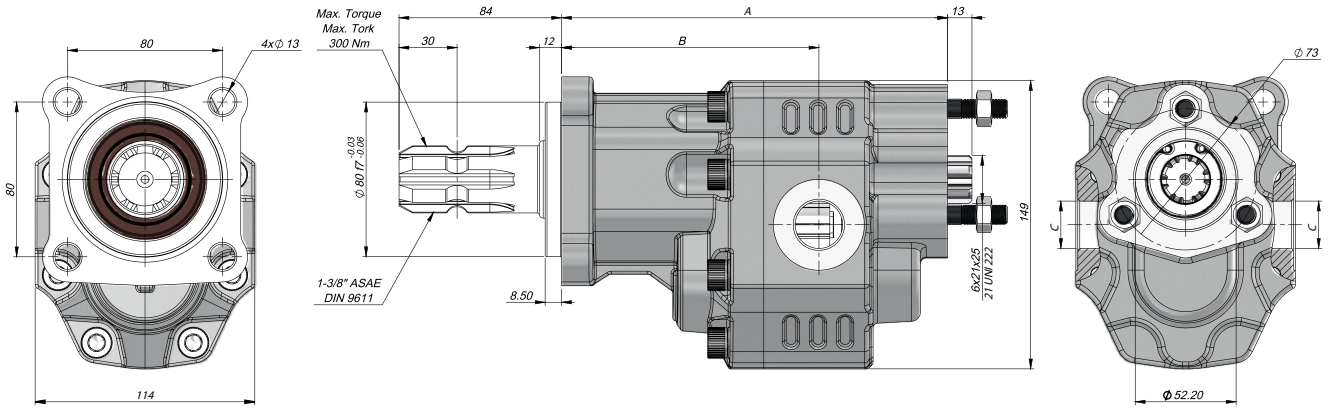


TEKNİK VERİLER | TECHNICAL DATA

4 DELİKLİ ASAE-S TANDEM DİŞLİ POMPA | 4 HOLES ASAE-S TANDEM GEAR PUMP

Giriş Basıncı Inlet Pressure		0.3÷ 2 bar	
Çalışma Viskozite Seviyesi Operating Viscosity Range		-12:100 cSt	
Sıvı Sıcaklığı Fluid Temperature		-40 °C+145 °C	
Çalışma Basıncı Working Pressure	Kirlilik Contamination		Filtre Filter
	NAS 1638	ISO 4406	$\beta_x=75$
≥200 bar	11	20/17	25 μm
≤200 bar	12	21/18	40 μm



Kod Code		İletim Hacmi Displacement	Maks.Sürekli Basınç Max.Continuous Pressure	Min. Hız Min.Speed	Maks.Sürekli Hız Max.Continuous Speed	A	B	Giriş Inlet	Çıkış Outlet
Sol / Left	Sağ / Right	(cm ³ /rev)	(100%)(BAR)	(RPM)	(RPM)	(mm)	(mm)	C	D
GT30017SF211	GT30017SF221	GT30017SF231	17	300	2600	182,5	123,5	G1/2"	G1/2"
GT30027SF211	GT30027SF221	GT30027SF231	27	290		188,5	126,5		
GT30034SF211	GT30034SF221	GT30034SF231	34	285	2300	193,5	128,5	G3/4"	G3/4"
GT30036SF211	GT30036SF221	GT30036SF231	36			195	128,5		
GT30038SF211	GT30038SF221	GT30038SF231	38	280	2100	193,5	128,5	G1"	G1"
GT30043SF211	GT30043SF221	GT30043SF231	43			199,5	133		
GT30051SF211	GT30051SF221	GT30051SF231	51	230	2000	204,5	134,5	G1 1/4"	G1 1/4"
GT30061SF211	GT30061SF221	GT30061SF231	61			212,5	138,5		
GT30073SF211	GT30073SF221	GT30073SF231	73	215	1800	217,5	146,5	G1 1/4"	G1 1/4"
GT30082SF211	GT30082SF221	GT30082SF231	82	200	1700	223,5	146		
GT30100SF211	GT30100SF221	GT30100SF231	100	190	1600	236,5	160	G1 1/4"	G1 1/4"
GT30125SF211	GT30125SF221	GT30125SF231	125	170		252,5	164		

*The values in the table refer to unidirectional pumps. Reversible pump max pressures are 10% lower than those shown in table. For different working conditions please consult our sales department.