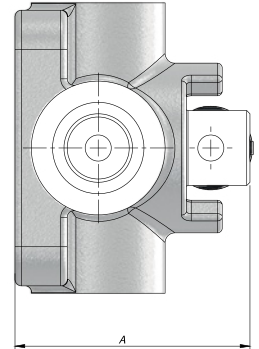
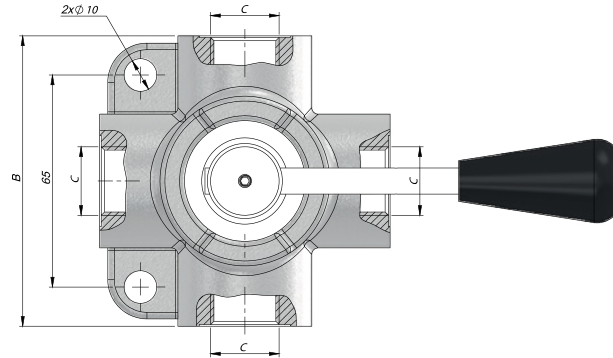


## 3 WAY VALVE

## TEKNİK VERİLER | TECHNICAL DATA

3 YOLLU VANA-4 YOLLU VANA | 3 WAY VALVE-4 WAY VALVE



3 Yollu Vana 3 Way Vane				4 Yollu Vana 3 Way Vane		
Code	V3Y180	V3Y2120	V3Y3180	V4Y180	V4Y2120	V4Y3180
A	74	81	95	74	81	95
B	84	90	100	84	90	100
C	1/2"	3/4"	1"	1/2"	3/4"	1"
Debi lt/dk Flow cc/min	80	120	180	80	120	180
P.Max.Bar	350	350	350	350	350	350