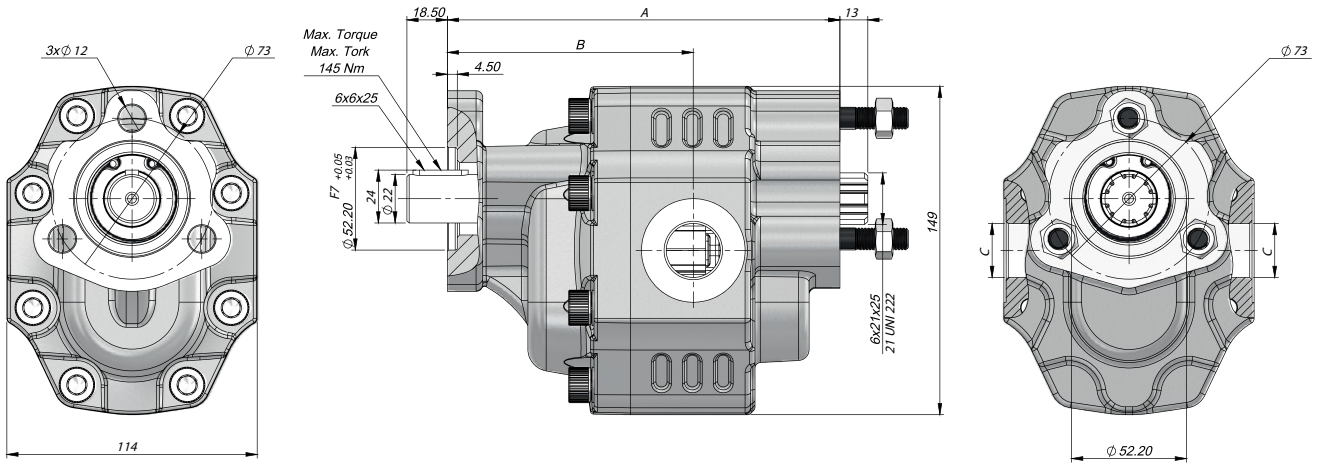


3 DELİKLİ F-UNI KAMALI TANDEM DİŞLİ POMPA | 3 HOLES F-UNI KEYED TANDEM GEAR PUMP

Giriş Basıncı   Inlet Pressure		0.3÷ 2 bar	
Çalışma Viskozite Seviyesi   Operating Viscosity Range		-12:100 cSt	
Sıvı Sıcaklığı   Fluid Temperature		-40 °C+145 °C	
Çalışma Basıncı   Working Pressure	Kirlilik   Contamination		Filtre   Filter
	NAS 1638	ISO 4406	$\beta_x=75$
≥200 bar	11	20/17	25 $\mu$ m
≤200 bar	12	21/18	40 $\mu$ m



Kod Code		İletim Hacmi Displacement	Maks.Sürekli Basınç Max.Continuous Pressure	Min. Hız Min.Speed	Maks.Sürekli Hız Max.Continuous Speed	A	B	Giriş Inlet	Çıkış Outlet
Sol / Left	Sağ / Right	(cm <sup>3</sup> /rev)	(100%)(BAR)	(RPM)	(RPM)	(mm)	(mm)	C	D
GT30017FK411	GT30017FK421	GT30017FK431	17	300	2600	161	102	G1/2"	G1/2"
GT30027FK411	GT30027FK421	GT30027FK431	27	290		167	105		
GT30034FK411	GT30034FK421	GT30034FK431	34	285	2300	172	107	G3/4"	G3/4"
GT30036FK411	GT30036FK421	GT30036FK431	36			173,5	118,5		
GT30038FK411	GT30038FK421	GT30038FK431	38	280	2100	174	118,5	G1"	G1"
GT30043FK411	GT30043FK421	GT30043FK431	43			176	111,5		
GT30051FK411	GT30051FK421	GT30051FK431	51	230	2000	183	113	G1 1/4"	G1 1/4"
GT30061FK411	GT30061FK421	GT30061FK431	61	225		191	117		
GT30073FK411	GT30073FK421	GT30073FK431	73	215	1800	196	125	G1"	G1"
GT30082FK411	GT30082FK421	GT30082FK431	82	200		202	124,5		
GT30100FK411	GT30100FK421	GT30100FK431	100	190	1600	215	138,5	G1 1/4"	G1 1/4"
GT30125FK411	GT30125FK421	GT30125FK431	125	170		231	142,5		

\*The values in the table refer to unidirectional pumps. Reversible pump max pressures are 10% lower than those shown in table. For different working conditions please consult our sales department.