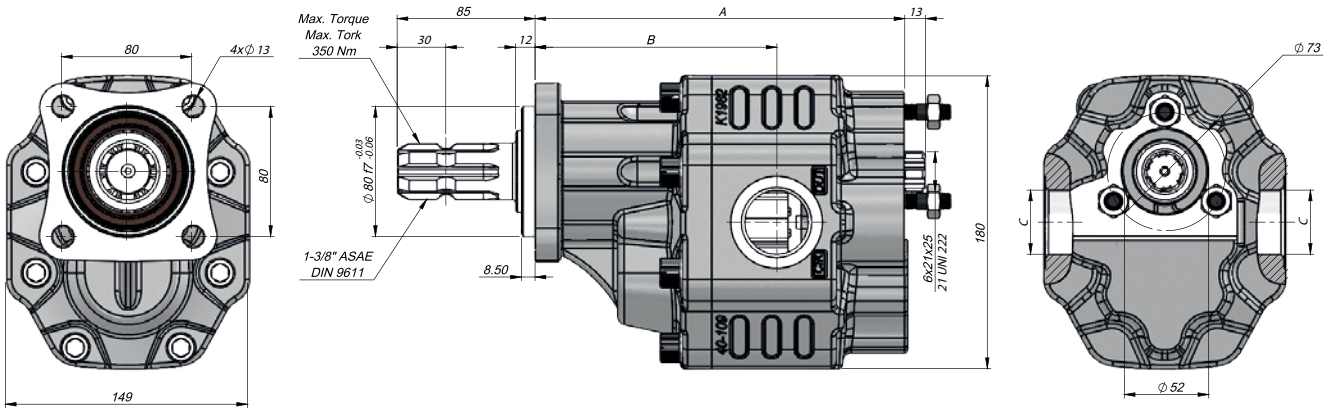


TEKNİK VERİLER | TECHNICAL DATA

4 DELİKLİ ASAE-S TANDEM DİŞLİ POMPA | 4 HOLES ASAE-S TANDEM GEAR PUMP

Giriş Basıncı Inlet Pressure		0.3÷ 2 bar	
Çalışma Viskozite Seviyesi Operating Viscosity Range		-12:100 cSt	
Sıvı Sıcaklığı Fluid Temperature		-40 °C+145 °C	
Çalışma Basıncı Working Pressure	Kirlilik Contamination		Filtre Filter
	NAS 1638	ISO 4406	$\beta_x=75$
≥200 bar	11	20/17	25 μ m
≤200 bar	12	21/18	40 μ m



Kod Code			İletim Hacmi Displacement	Maks.Sürekli Basınç Max.Continuous Pressure	Min. Hız Min.Speed	Maks.Sürekli Hız Max.Continuous Speed	A	B	Giriş Inlet	Çıkış Outlet
Sol / Left	Sağ / Right	BD	(cm ³ /rev)	(100%)(BAR)	(RPM)	(RPM)	(mm)	(mm)	C	D
GT40063SF211	GT40063SF221	GT40063SF231	63	290	300	1800	211	139	G1"	G3/4"
GT40073SF211	GT40073SF221	GT40073SF231	73	280			215	139	G1 1/4"	
GT40087SF211	GT40087SF221	GT40087SF231	87	260			220	143		G1 1/2"
GT40109SF211	GT40109SF221	GT40109SF231	109	250			228	149	G1 1/2"	
GT40133SF211	GT40133SF221	GT40133SF231	133	220			237	150		G1 1/2"
GT40151SF211	GT40151SF221	GT40151SF231	151	180			243	152,5		

*The values in the table refer to unidirectional pumps. Reversible pump max pressures are 10% lower than those shown in table. For different working conditions please consult our sales department.