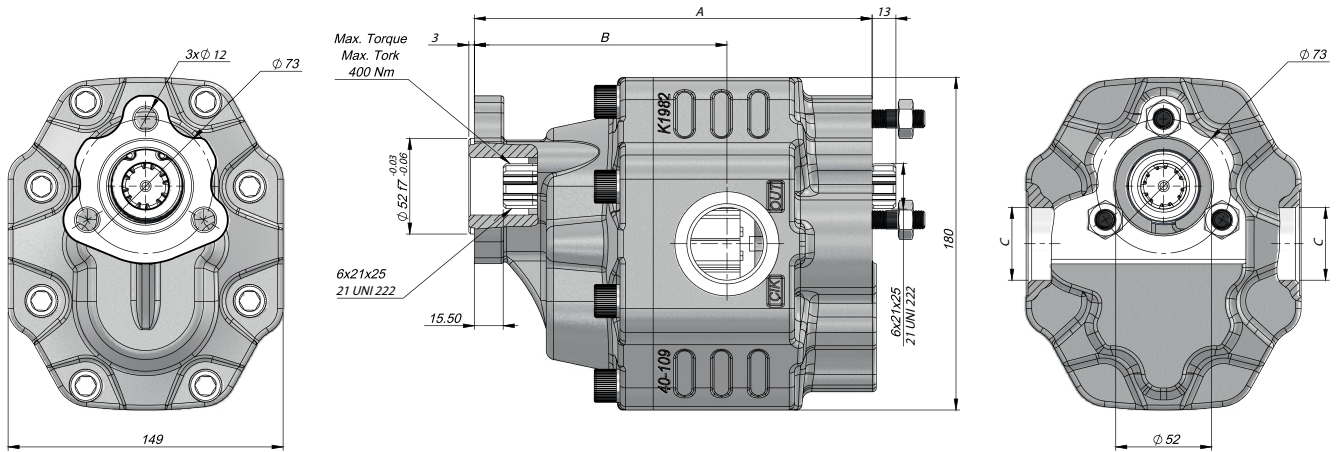


Giriş Basıncı Inlet Pressure		0.3÷ 2 bar	
Çalışma Viskozite Seviyesi Operating Viscosity Range		-12:100 cSt	
Sıvı Sıcaklığı Fluid Temperature		-40 °C+145 °C	
Çalışma Basıncı Working Pressure	Kirlilik Contamination		Filtre Filter
	NAS 1638	ISO 4406	$\beta_x=75$
≥ 200 bar	11	20/17	25 μm
≤ 200 bar	12	21/18	40 μm



Kod Code		İletim Hacmi Displacement	Maks.Sürekli Basınç Max.Continuous Pressure	Min. Hız Min.Speed	Maks.Sürekli Hız Max.Continuous Speed	A	B	Giriş Inlet	Çıkış Outlet
Sol / Left	Sağ / Right								
GT40063UF411	GT40063UF421	GT40063UF431	63	290	300	199	127	G1"	G3/4"
GT40073UF411	GT40073UF421	GT40073UF431	73	280		203	127	G1 1/4"	
GT40087UF411	GT40087UF421	GT40087UF431	87	260		208	131		G1 1/2"
GT40109UF411	GT40109UF421	GT40109UF431	109	250		216	137	G1 1/2"	
GT40133UF411	GT40133UF421	GT40133UF431	133	220		225	138		G1 1/2"
GT40151UF411	GT40151UF421	GT40151UF431	151	180		231	140,5	G1 1/2"	

*The values in the table refer to unidirectional pumps. Reversible pump max pressures are 10% lower than those shown in table. For different working conditions please consult our sales department.