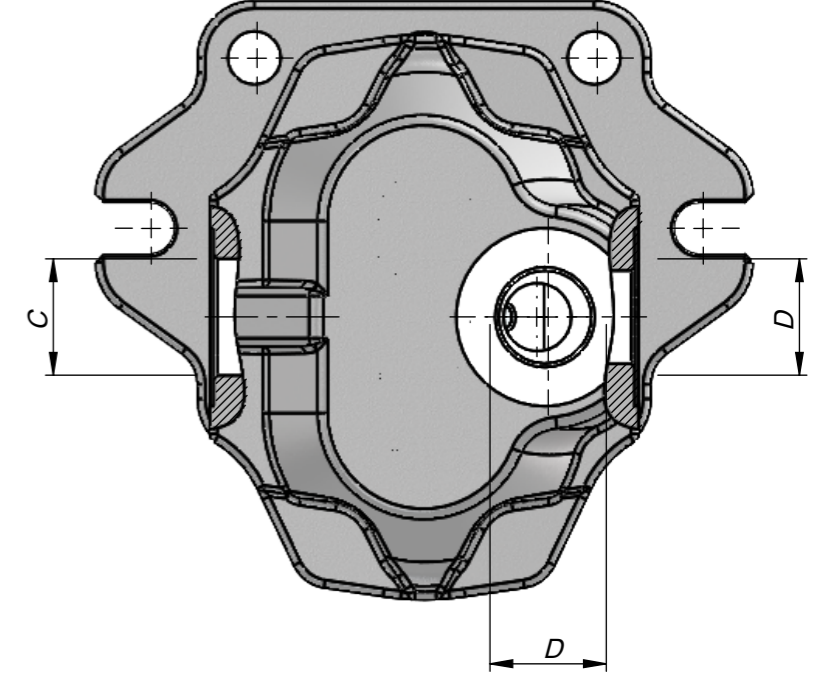
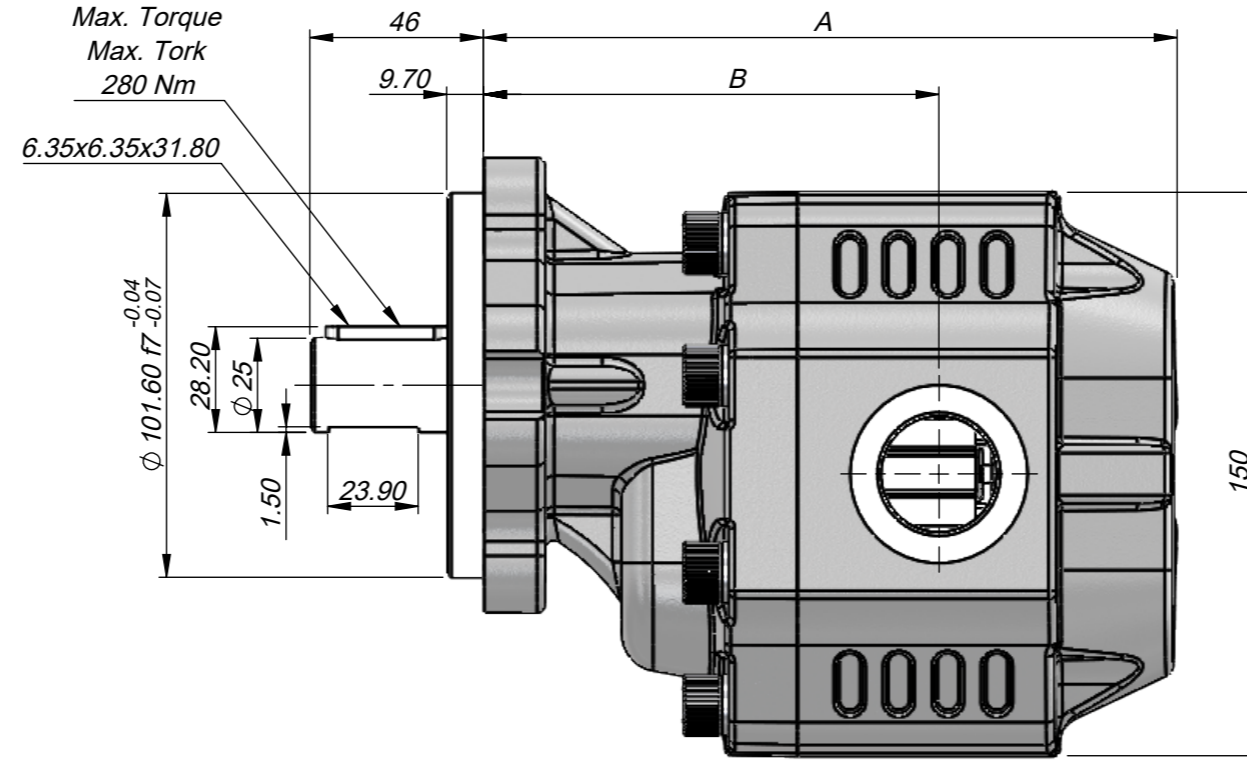
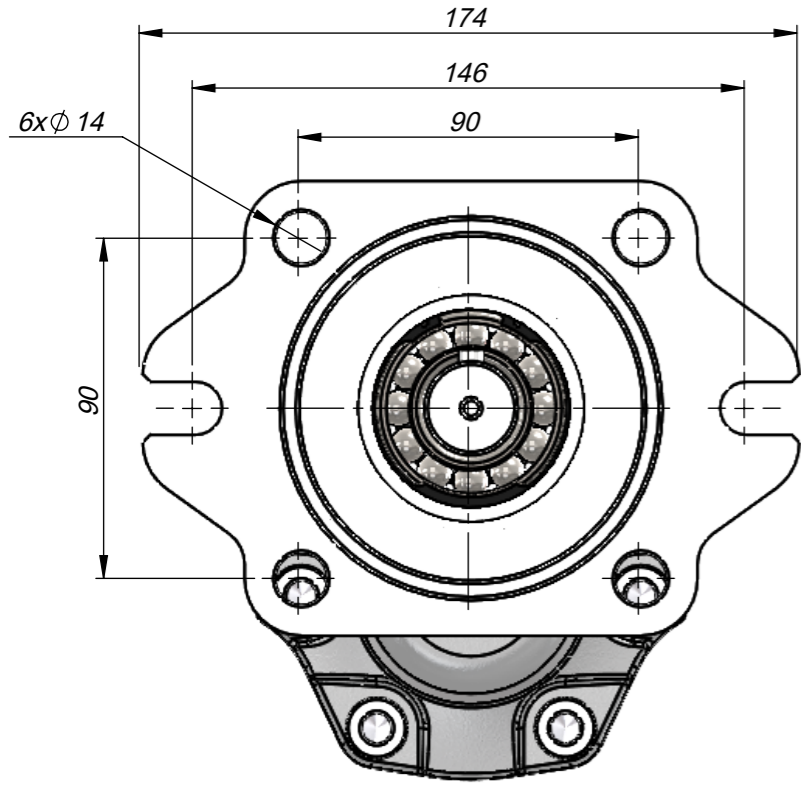


REV	REV DATE	DESCRIPTION
-----	----------	-------------



Kod Code		İletim Hacmi Displacement (cm ³ /rev)	Maks. Sürekli Basınç Max. Continuous Pressure (BAR)	Hız Aralığı Speed Range (Dev/Dak)-(Rev / Min)		A (mm)	B (mm)	GİRİŞ Inlet C	ÇIKIŞ Outlet D
Sol/Left	Sağ/Right			Min.	Max. Continuous				
G30017BK311	G30017BK321	17	300	300	2500	151.50	103	G1/2"	G1/2"
G30027BK311	G30027BK321	27	290		2200	157.50	108		
G30034BK311	G30034BK321	34	285		2000	162.50	109	G3/4"	G3/4"
G30043BK311	G30043BK321	43	280			168.50	114		
G30051BK311	G30051BK321	51	230			173.50	114		
G30061BK311	G30061BK321	61	225		1800	181.50	120,5	G1"	G1"
G30073BK311	G30073BK321	73	215		1600	186.50	123		
G30082BK311	G30082BK321	82	200		1500	192.50	124,5	G1 1/4"	G1" G3/4" (Alternative)
G30100BK311	G30100BK321	100	190			205.50	138,5		
G30125BK311	G30125BK321	125	170			221.50	142,5		

DRAWER CONTROL APPROVAL SCALE	NAME-SURNAME	DATE	SIGNATURE
		16.03.2022	
PRODUCT NAME: GEAR PUMP SAE-B K3 EHASS			