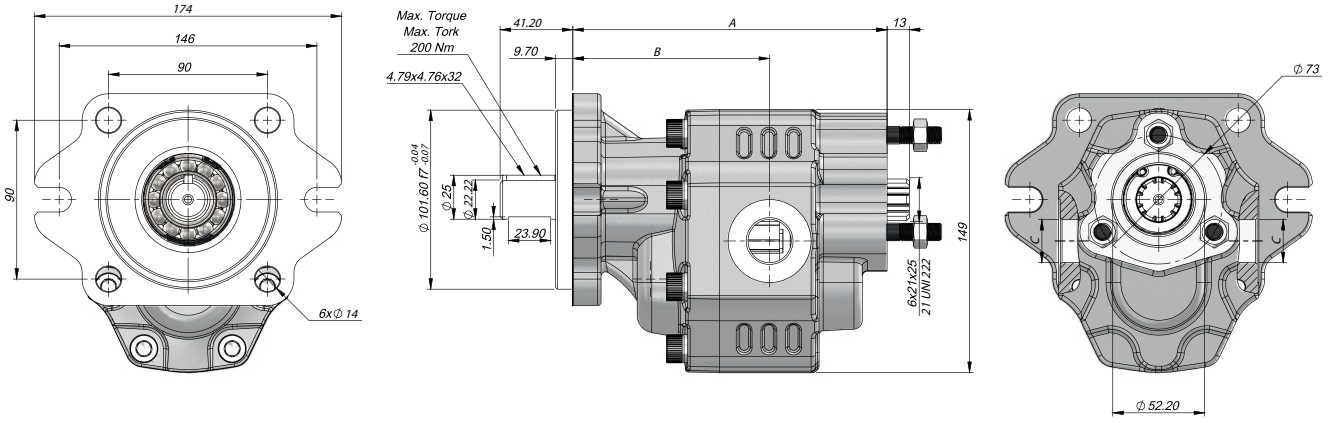


TEKNİK VERİLER | TECHNICAL DATA

2+4 DELİKLİ SAE B KAMALI TANDEM DİŞLİ POMPA 2+4 HOLES SAE B WITH KEYED TANDEM GEAR PUMP

Giriş Basıncı Inlet Pressure	0.3÷ 2 bar		
Çalışma Viskozite Seviyesi Operating Viscosity Range	-12:100 cSt		
Sıvı Sıcaklığı Fluid Temperature	-40 °C+145 °C		
Çalışma Basıncı Working Pressure	Kirlilik Contamination		Filtre Filter
	NAS 1638	ISO 4406	$\beta_x=75$
≥ 200 bar	11	20/17	25 μ m
≤ 200 bar	12	21/18	40 μ m



Kod Code			İletim Hacmi Displacement	Maks.Sürekli Basınc Max.Continuous Pressure	Min. Hız Min.Speed	Maks.Sürekli Hız Max.Continuous Speed	A	B	Giriş Inlet	Çıkış Outlet
Sol / Left	Sağ / Right	BD	(cm ³ /rev)	(100%)(BAR)	(RPM)	(RPM)	(mm)	(mm)	C	D
GT30017BK211	GT30017BK221	GT30017BK231	17	300	300	2600	182,5	123,5	G1/2"	G1/2"
GT30027BK211	GT30027BK221	GT30027BK231	27	290			188,5	126,5		
GT30034BK211	GT30034BK221	GT30034BK231	34	285		2300	193,5	128,5	G3/4"	G3/4"
GT30036BK211	GT30036BK221	GT30036BK231	36				195	128,5		
GT30038BK211	GT30038BK221	GT30038BK231	38				193,5	128,5		
GT30043BK211	GT30043BK221	GT30043BK231	43	280		2100	199,5	133	G1"	G1"
GT30051BK211	GT30051BK221	GT30051BK231	51	230			204,5	134,5		
GT30061BK211	GT30061BK221	GT30061BK231	61	225		2000	212,5	138,5	G1"	G1"
GT30073BK211	GT30073BK221	GT30073BK231	73	215			1800	217,5		
GT30082BK211	GT30082BK221	GT30082BK231	82	200		1700	223,5	146	G1 1/4"	G1 1/4"
GT30100BK211	GT30100BK221	GT30100BK231	100	190			1600	236,5		
GT30125BK211	GT30125BK221	GT30125BK231	125	170			252,5	164		

*The values in the table refer to unidirectional pumps. Reversible pump max pressures are 10% lower than those shown in table. For different working conditions please consult our sales department.