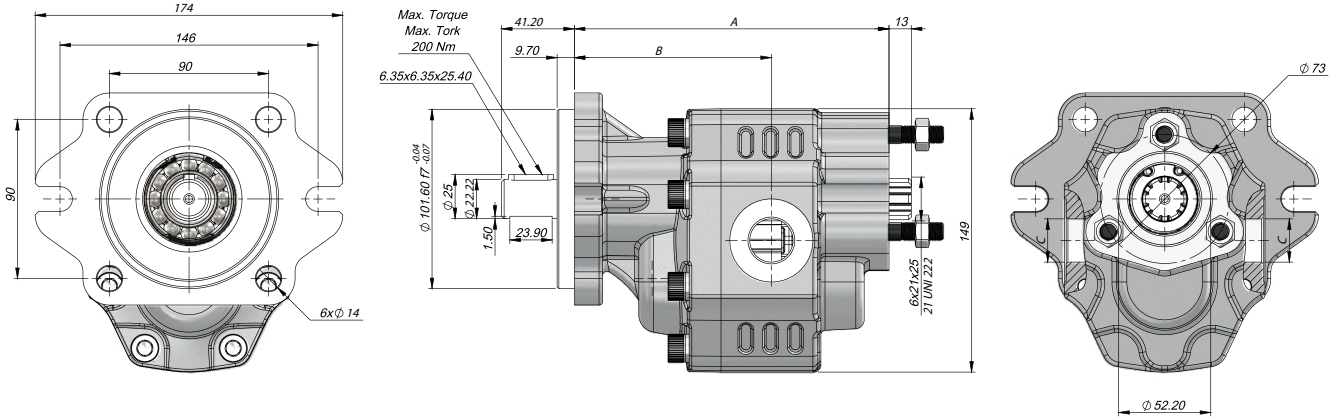


## TEKNİK VERİLER | TECHNICAL DATA

### 2+4 DELİKLİ SAE B KAMALI TANDEM DİŞLİ POMPA 2+4 HOLES SAE B WITH KEYED TANDEM GEAR PUMP

Giriş Basıncı   Inlet Pressure		0.3÷ 2 bar	
Çalışma Viskozite Seviyesi   Operating Viscosity Range		-12:100 cSt	
Sıvı Sıcaklığı   Fluid Temperature		-40 °C+145 °C	
Çalışma Basıncı   Working Pressure	Kirlilik   Contamination		Filtre   Filter
	NAS 1638	ISO 4406	$\beta_x=75$
≥200 bar	11	20/17	25 $\mu$ m
≤200 bar	12	21/18	40 $\mu$ m



Kod Code			İletim Hacmi Displacement	Maks.Sürekli Basıncı Max.Continuous Pressure	Min. Hız Min.Speed	Maks.Sürekli Hız Max.Continuous Speed	A	B	Giriş Inlet	Çıkış Outlet
Sol / Left	Sağ / Right	BD	(cm <sup>3</sup> /rev)	(100%)(BAR)	(RPM)	(RPM)	(mm)	(mm)	C	D
GT30017BK111	GT30017BK121	GT30017BK131	17	300	300	2600	182,5	123,5	G1/2"	G1/2"
GT30027BK111	GT30027BK121	GT30027BK131	27	290			188,5	126,5		
GT30034BK111	GT30034BK121	GT30034BK131	34	285		2300	193,5	128,5	G3/4"	G3/4"
GT30036BK111	GT30036BK121	GT30036BK131	36				195	128,5		
GT30038BK111	GT30038BK121	GT30038BK131	38				193,5	128,5		
GT30043BK111	GT30043BK121	GT30043BK131	43	280		2100	199,5	133	G1"	G1"
GT30051BK111	GT30051BK121	GT30051BK131	51	230			204,5	134,5		
GT30061BK111	GT30061BK121	GT30061BK131	61	225		2000	212,5	138,5	G1"	G1"
GT30073BK111	GT30073BK121	GT30073BK131	73	215			1800	217,5		
GT30082BK111	GT30082BK121	GT30082BK131	82	200		1700	223,5	146	G1 1/4"	G1 1/4"
GT30100BK111	GT30100BK121	GT30100BK131	100	190			1600	236,5		
GT30125BK111	GT30125BK121	GT30125BK131	125	170		252,5		164		

\*The values in the table refer to unidirectional pumps. Reversible pump max pressures are 10% lower than those shown in table. For different working conditions please consult our sales department.