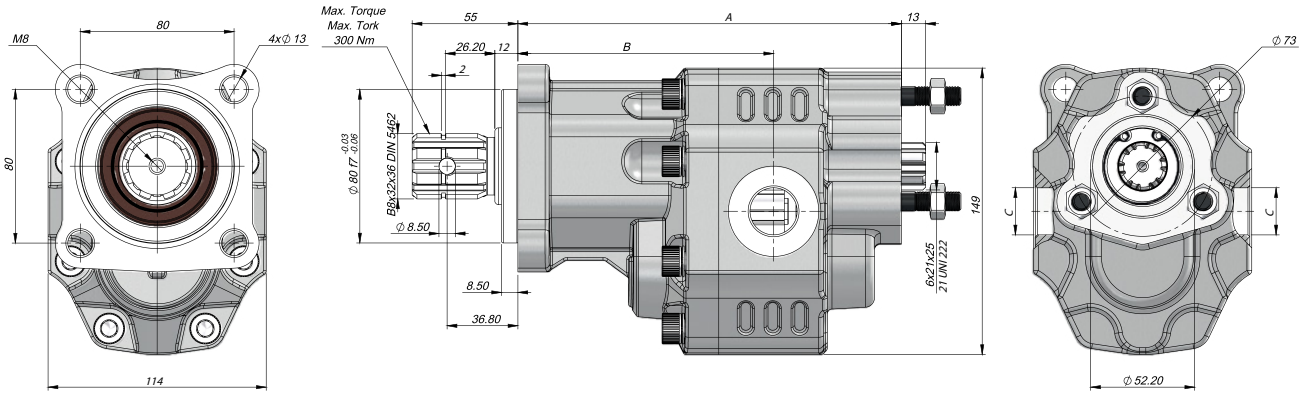


Giriş Basıncı   Inlet Pressure	0.3÷ 2 bar		
Çalışma Viskozite Seviyesi   Operating Viscosity Range	-12:100 cSt		
Sıvı Sıcaklığı   Fluid Temperature	-40 °C+145 °C		
Çalışma Basıncı   Working Pressure	Kirlilik   Contamination		Filtre   Filter
	NAS 1638	ISO 4406	$\beta_x=75$
≥200 bar	11	20/17	25 $\mu$ m
≤200 bar	12	21/18	40 $\mu$ m



Kod Code			İletim Hacmi Displacement (cm <sup>3</sup> /rev)	Maks.Sürekli Basıncı Max.Continuous Pressure (100%)(BAR)	Min. Hız Min.Speed (RPM)	Maks.Sürekli Hız Max.Continuous Speed (RPM)	A (mm)	B (mm)	Giriş Inlet C	Çıkış Outlet D
Sol / Left	Sağ / Right	BD								
GT30017SF111	GT30017SF121	GT30017SF131	17	300	300	2600	182,5	123,5	G1/2"	G1/2"
GT30027SF111	GT30027SF121	GT30027SF131	27	290			188,5	126,5		
GT30034SF111	GT30034SF121	GT30034SF131	34	285		2300	193,5	128,5	G3/4"	G3/4"
GT30036SF111	GT30036SF121	GT30036SF131	36				195	128,5		
GT30038SF111	GT30038SF121	GT30038SF131	38	193,5		128,5				
GT30043SF111	GT30043SF121	GT30043SF131	43	280		2100	199,5	133		
GT30051SF111	GT30051SF121	GT30051SF131	51	230		204,5	134,5	G1"	G1"	
GT30061SF111	GT30061SF121	GT30061SF131	61	225		2000	212,5			138,5
GT30073SF111	GT30073SF121	GT30073SF131	73	215		1800	217,5	146,5	G1 1/4"	G1 1/4"
GT30082SF111	GT30082SF121	GT30082SF131	82	200		1700	223,5	146		
GT30100SF111	GT30100SF121	GT30100SF131	100	190	1600	236,5	160	G1 1/4"	G1 1/4"	
GT30125SF111	GT30125SF121	GT30125SF131	125	170		252,5	164			

\*The values in the table refer to unidirectional pumps. Reversible pump max pressures are 10% lower than those shown in table. For different working conditions please consult our sales department.